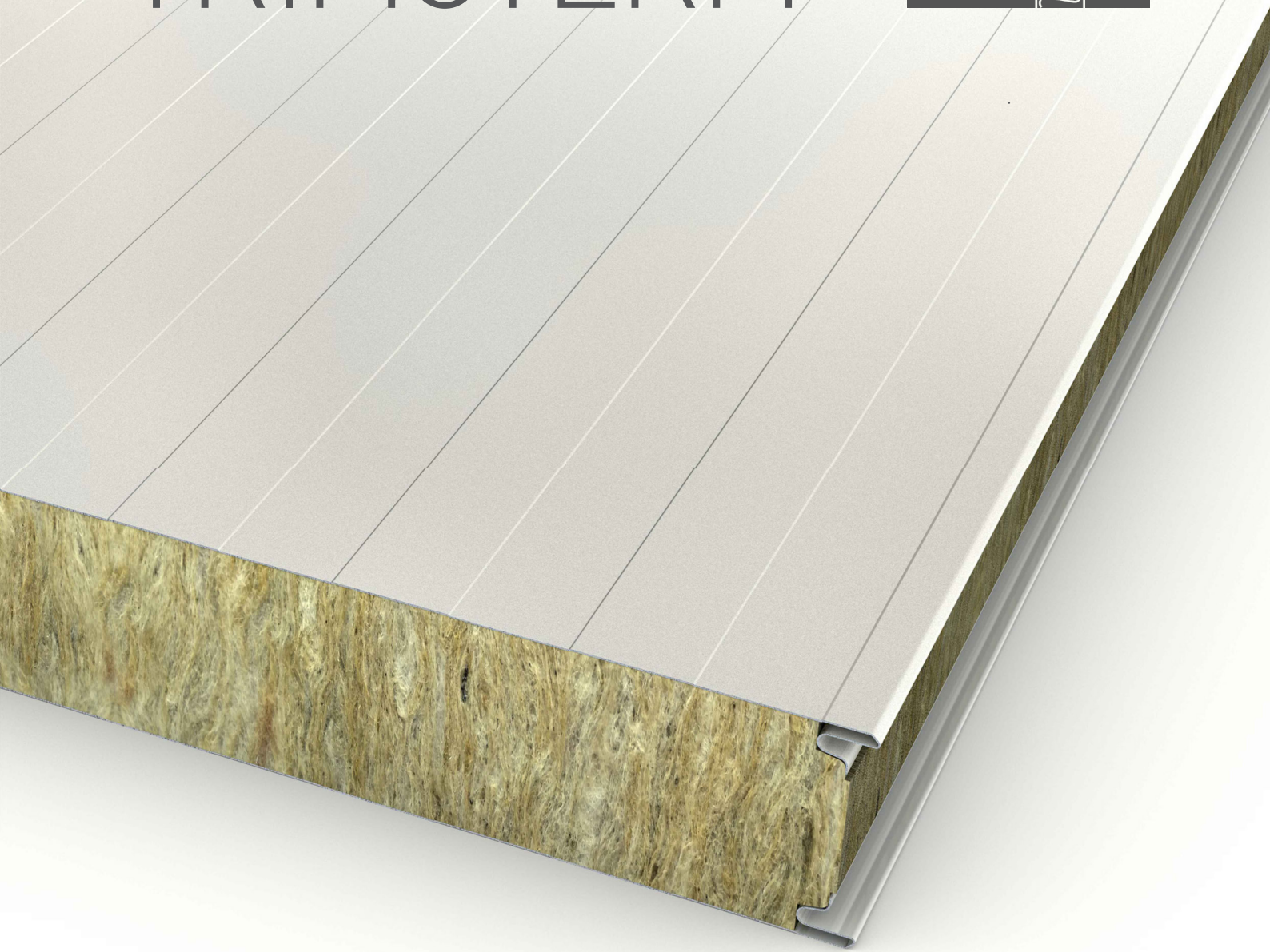
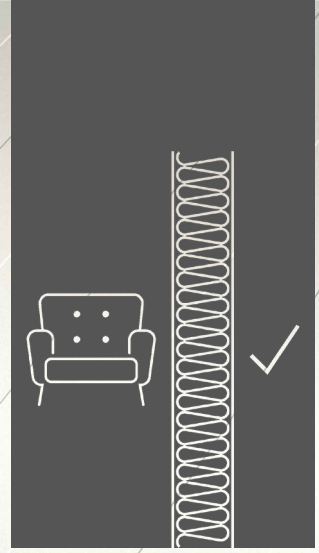


# TRI MO TRIMOTERM



ARCHITECTURAL DETAILS  
INTERNAL WALL SYSTEM  
TRIMOTERM FTV



**HORIZONTAL  
INSTALLATION**

**TRIMOTERM  
FTV**

**FUNCTION**

- FIRE - fire-resistant system
- FOOGIENE - food & hygiene system
- BASE - backing-wall system

**APPLICATION**

- External Facade    + External Soffit
- Internal Wall            + Internal Ceiling
- Flat Roof                  Pitched Roof

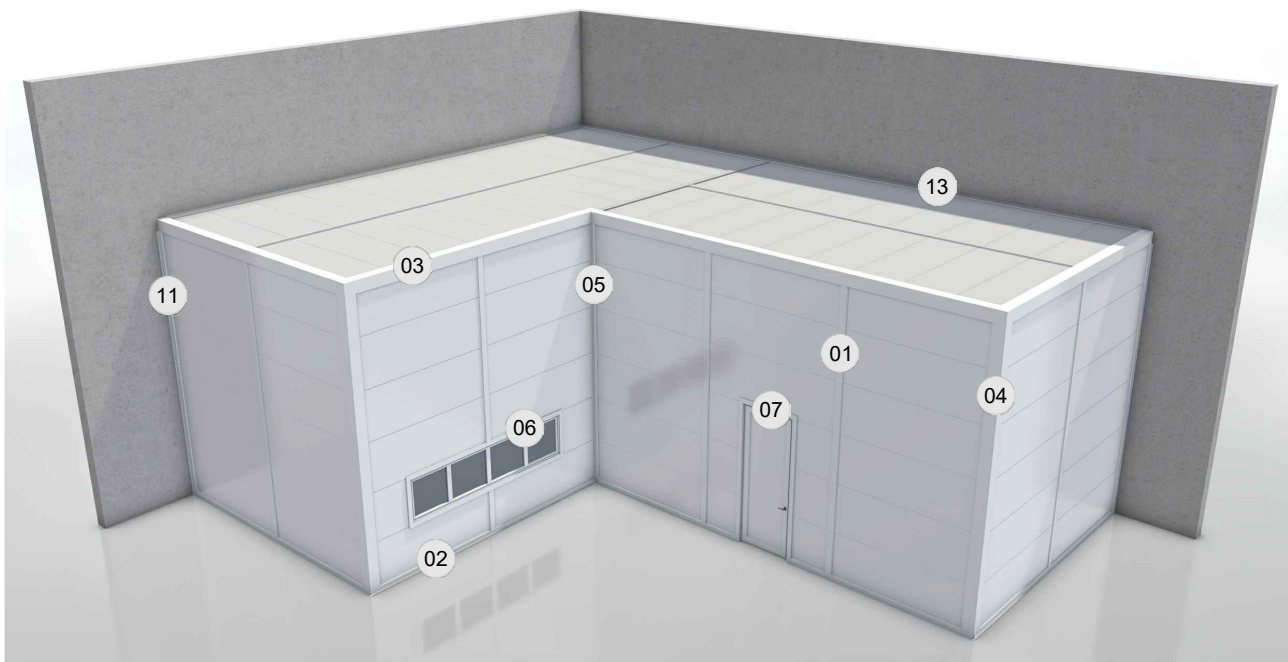


CAD download centre



BIM download centre

- TE-H-01 JOINT
- TE-H-02 BASE
- TE-H-03 PARAPET
- TE-H-04 EXTERNAL CORNER
- TE-H-05 INTERNAL CORNER
- TE-H-06 WINDOW
- TE-H-07 DOOR
- TE-H-11 OTHER SYSTEM CONNECTION
- TE-H-13 CEILING



**SCHEME**

Trimo Group holds full copyrights on the information and details provided on this media, therefore any unauthorized reproduction and distribution is strictly prohibited.



## HORIZONTAL INSTALLATION

# TRIMOTERM FTV

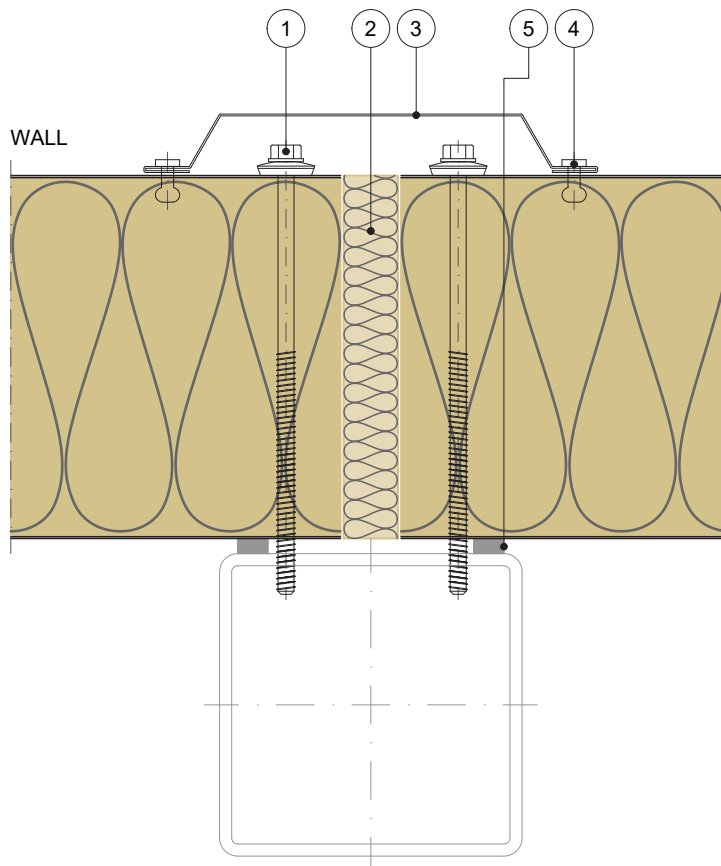
### FUNCTION

- FIRE - fire-resistant system
- FOOGIENE - food & hygiene system
- BASE - backing-wall system

### APPLICATION

- External Facade
- Internal Wall
- Flat Roof
- External Soffit
- Internal Ceiling
- Pitched Roof

## HORIZONTAL CUT



POS.	ELEMENTS	SCALE: M 1:2.5
1	Fixing screw	
2	Thermal insulation	
3	Flashing	
4	Blind rivet	
5	Sealing tape	

## JOINT



## HORIZONTAL INSTALLATION

## TRIMOTERM FTV

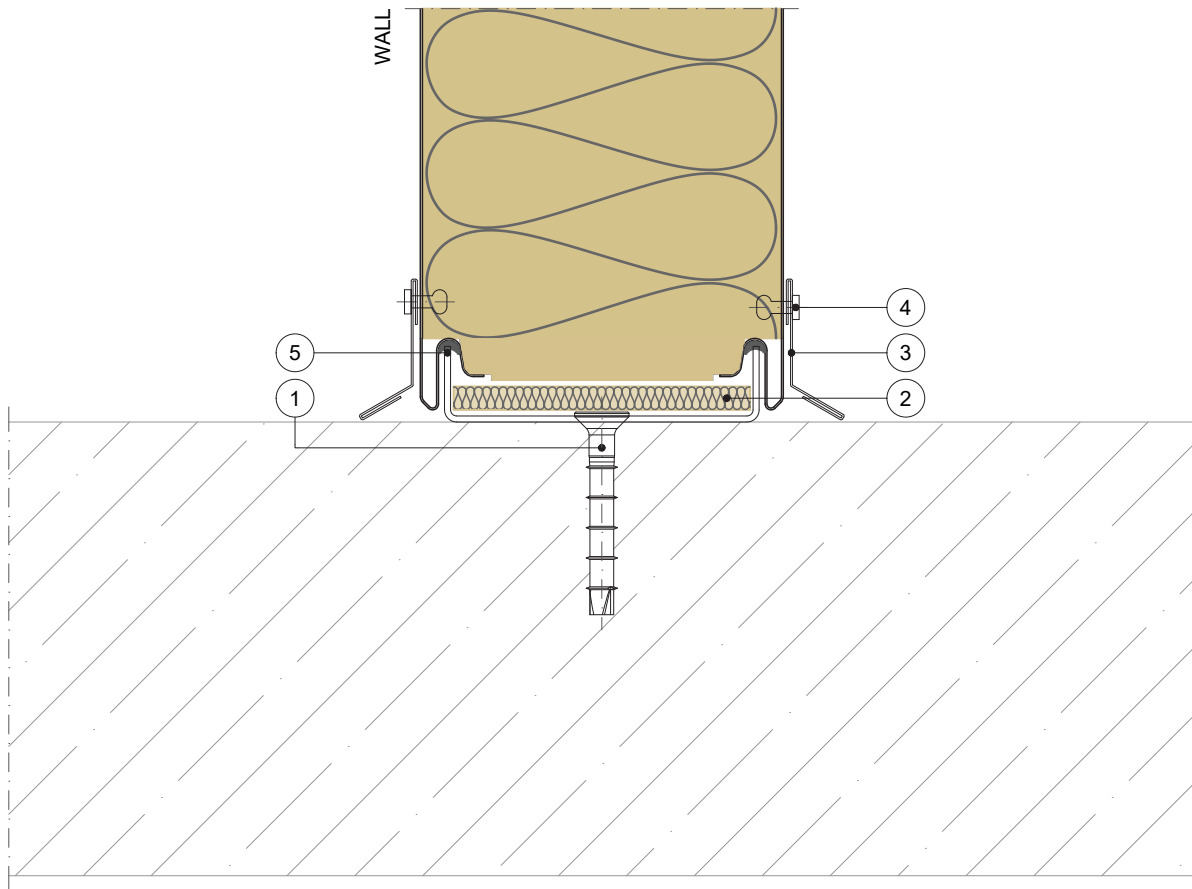
### FUNCTION

- FIRE - fire-resistant system
- FOOGIENE - food & hygiene system
- BASE - backing-wall system

### APPLICATION

- External Facade
- Internal Wall
- Flat Roof
- Pitched Roof
- + External Soffit
- + Internal Ceiling

### VERTICAL CUT



POS.	ELEMENTS	SCALE: M 1:2.5
1	Metal fixing anchor (depending on material)	
2	Thermal insulation	
3	Flashing	
4	Blind rivet	
5	Support profile	

## BASE

Trimo Group holds full copyrights on the information and details provided on this media, therefore any unauthorized reproduction and distribution is strictly prohibited.



## HORIZONTAL INSTALLATION

## TRIMOTERM FTV

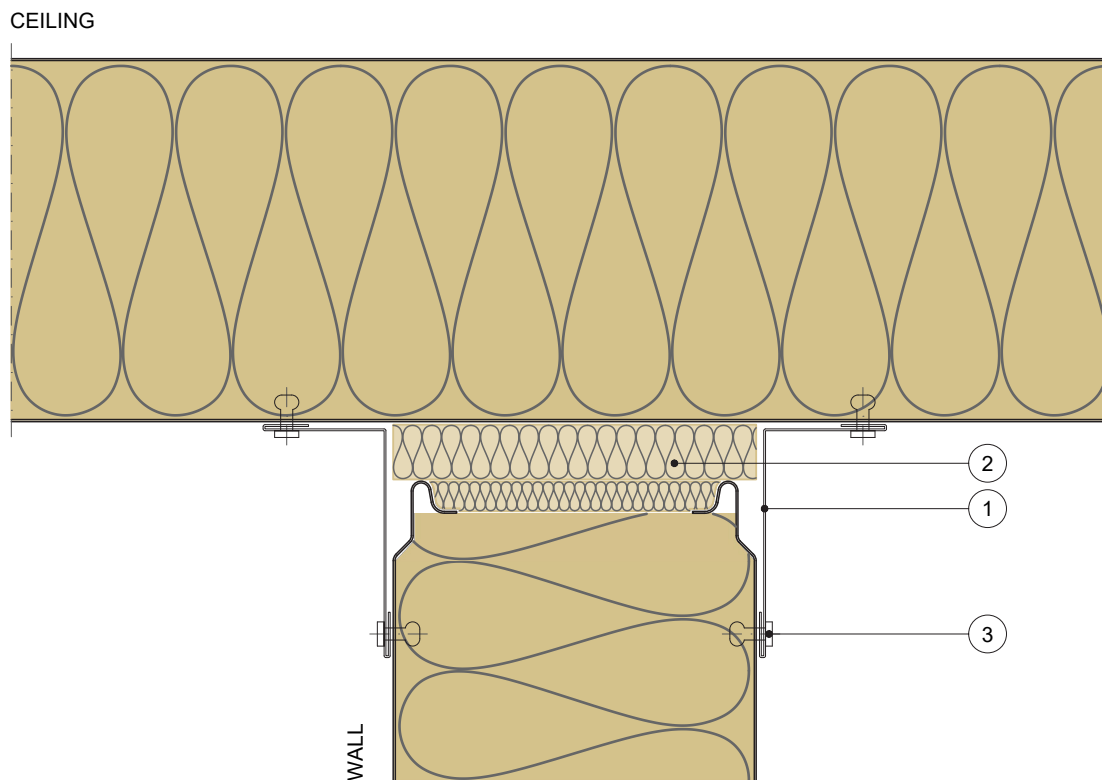
### FUNCTION

- FIRE - fire-resistant system
- FOOGIENE - food & hygiene system
- BASE - backing-wall system

### APPLICATION

- External Facade
- Internal Wall
- Flat Roof
- External Soffit
- Internal Ceiling
- Pitched Roof

### VERTICAL CUT



POS.	ELEMENTS	SCALE: M 1:2.5
1	Flashing	
2	Thermal insulation	
3	Blind rivet	

## PARAPET

Trimo Group holds full copyrights on the information and details provided on this media, therefore any unauthorized reproduction and distribution is strictly prohibited.



## HORIZONTAL INSTALLATION

## TRIMOTERM FTV

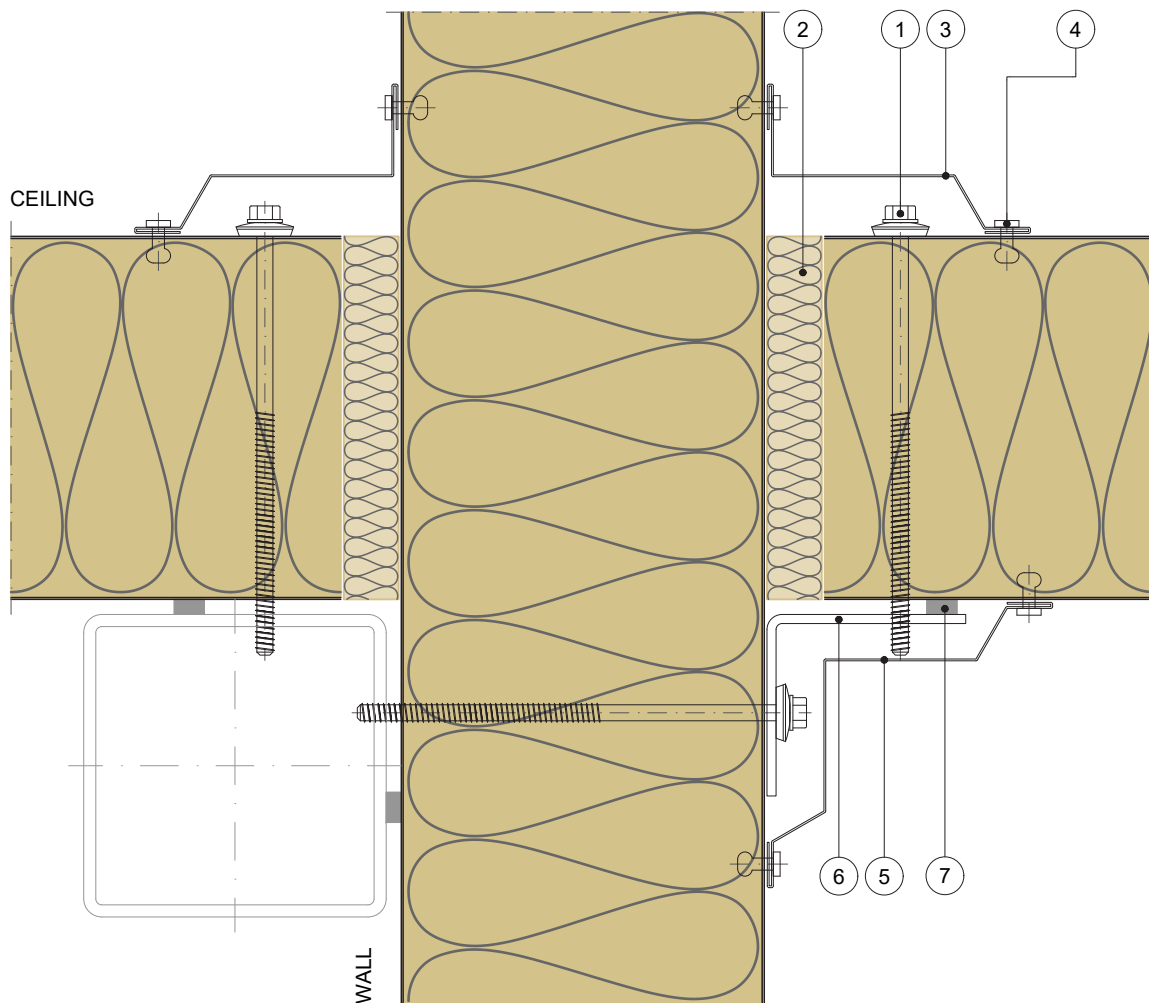
### FUNCTION

- FIRE - fire-resistant system
- FOOGIENE - food & hygiene system
- BASE - backing-wall system

### APPLICATION

- External Facade
- Internal Wall
- Flat Roof
- Pitched Roof
- + External Soffit
- + Internal Ceiling

### VERTICAL CUT



POS.	ELEMENTS	SCALE: M 1:2.5
1	Fixing screw	
2	Thermal insulation	
3	Flashing	
4	Blind rivet	
5	Flashing	
6	Support profile	
7	Sealing tape	

## PARAPET

Trimo Group holds full copyrights on the information and details provided on this media, therefore any unauthorized reproduction and distribution is strictly prohibited.





## HORIZONTAL INSTALLATION

## TRIMOTERM FTV

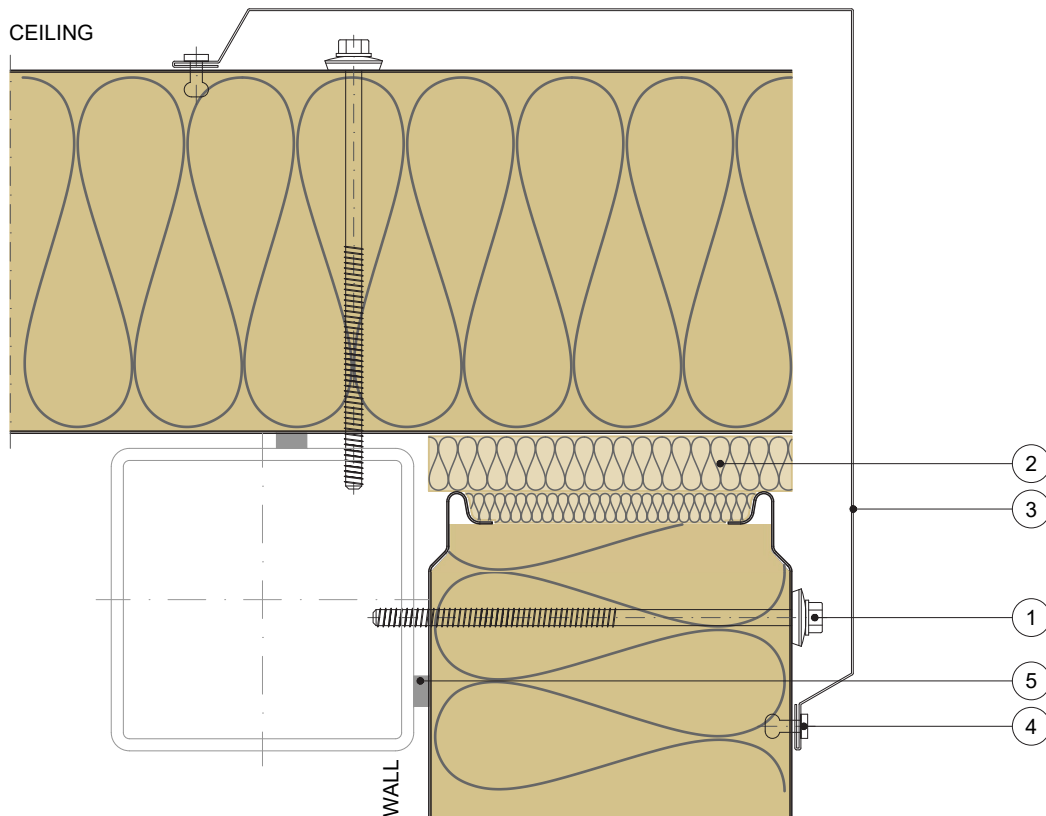
### FUNCTION

- FIRE - fire-resistant system
- FOOGIENE - food & hygiene system
- BASE - backing-wall system

### APPLICATION

- External Facade
- Internal Wall
- Flat Roof
- External Soffit
- Internal Ceiling
- Pitched Roof

### VERTICAL CUT



POS.	ELEMENTS	SCALE: M 1:2.5
1	Fixing screw	
2	Thermal insulation	
3	Flashing	
4	Blind rivet	
5	Sealing tape	

## PARAPET

Trimo Group holds full copyrights on the information and details provided on this media, therefore any unauthorized reproduction and distribution is strictly prohibited.



## HORIZONTAL INSTALLATION

## TRIMOTERM FTV

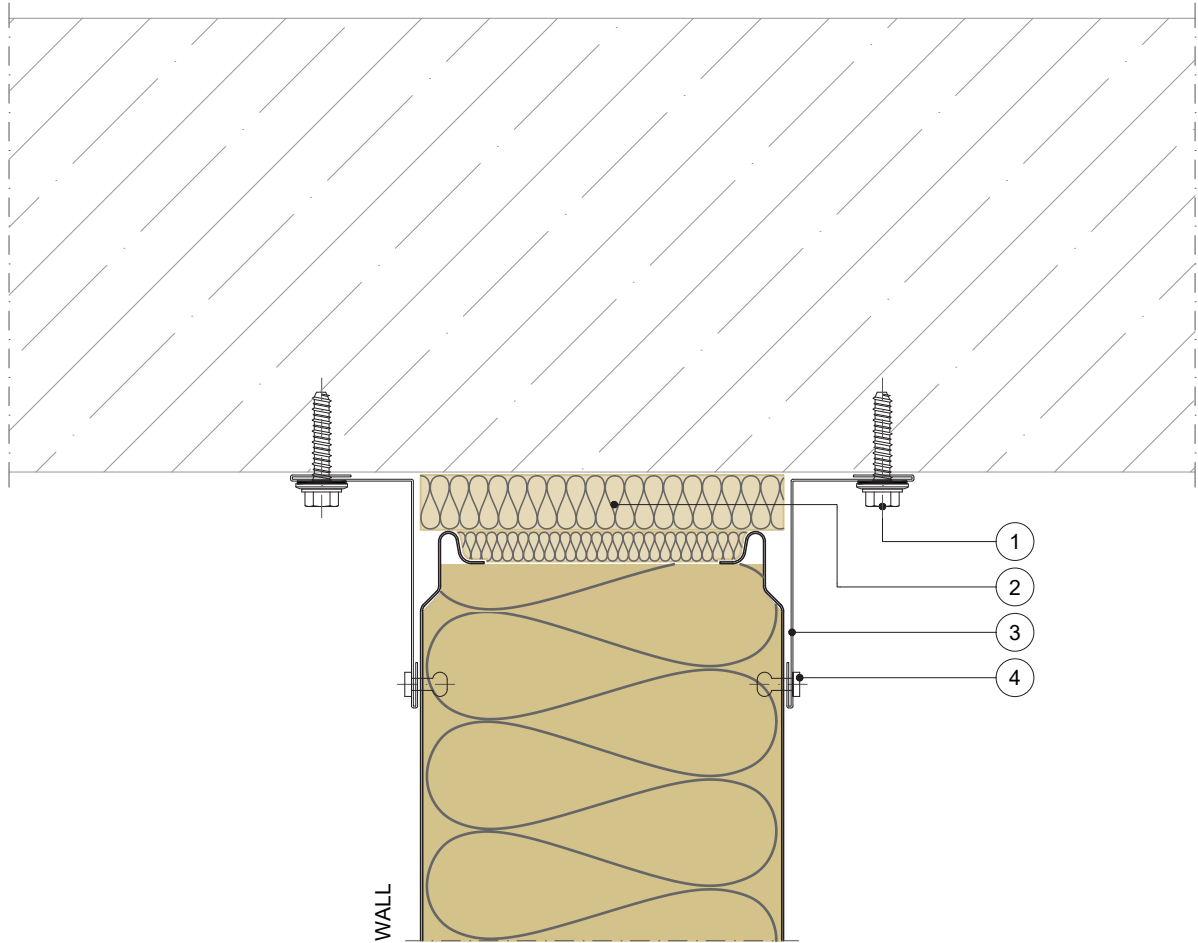
### FUNCTION

- FIRE - fire-resistant system
- FOOGIENE - food & hygiene system
- BASE - backing-wall system

### APPLICATION

- External Facade
- Internal Wall
- Flat Roof
- External Soffit
- Internal Ceiling
- Pitched Roof

### VERTICAL CUT



POS.	ELEMENTS	SCALE: M 1:2.5
1	Metal fixing screw (depending on material)	
2	Thermal insulation	
3	Flashing	
4	Blind rivet	

## PARAPET

Trimo Group holds full copyrights on the information and details provided on this media, therefore any unauthorized reproduction and distribution is strictly prohibited.





## HORIZONTAL INSTALLATION

## TRIMOTERM FTV

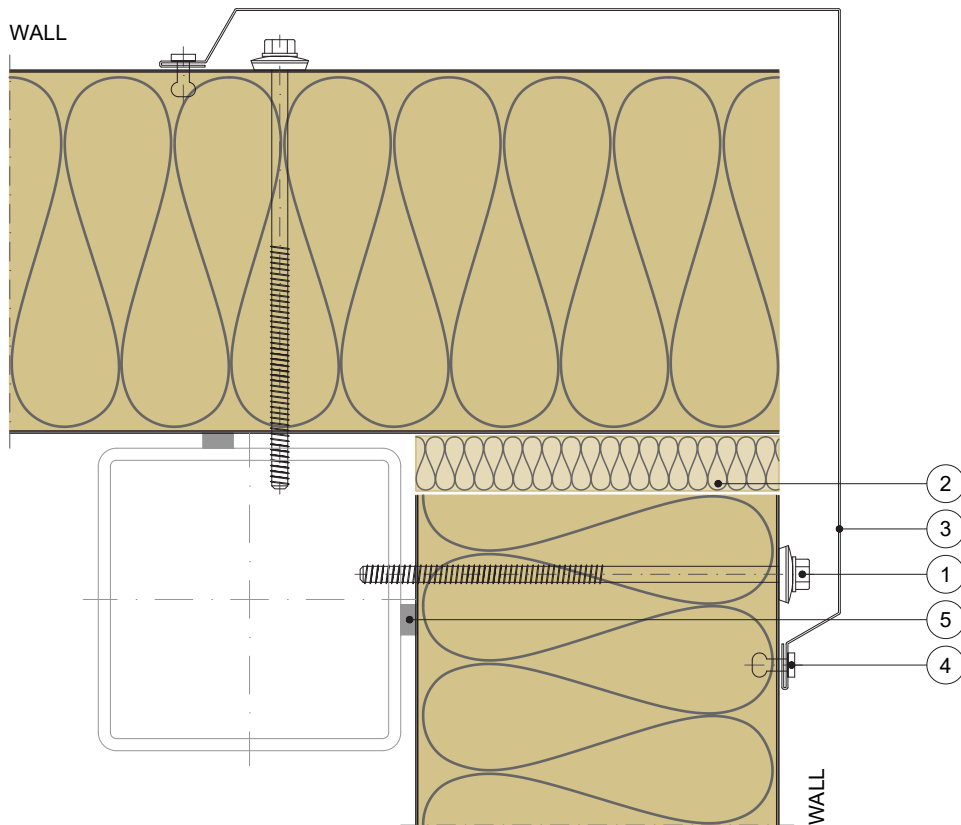
### FUNCTION

- FIRE - fire-resistant system
- FOOGIENE - food & hygiene system
- BASE - backing-wall system

### APPLICATION

- External Facade
- Internal Wall
- Flat Roof
- External Soffit
- Internal Ceiling
- Pitched Roof

### HORIZONTAL CUT



POS.	ELEMENTS	SCALE: M 1:2.5
1	Fixing screw	
2	Thermal insulation	
3	Flashing	
4	Blind rivet	
5	Sealing tape	

## EXTERNAL CORNER

Trimo Group holds full copyrights on the information and details provided on this media, therefore any unauthorized reproduction and distribution is strictly prohibited.



## HORIZONTAL INSTALLATION

## TRIMOTERM FTV

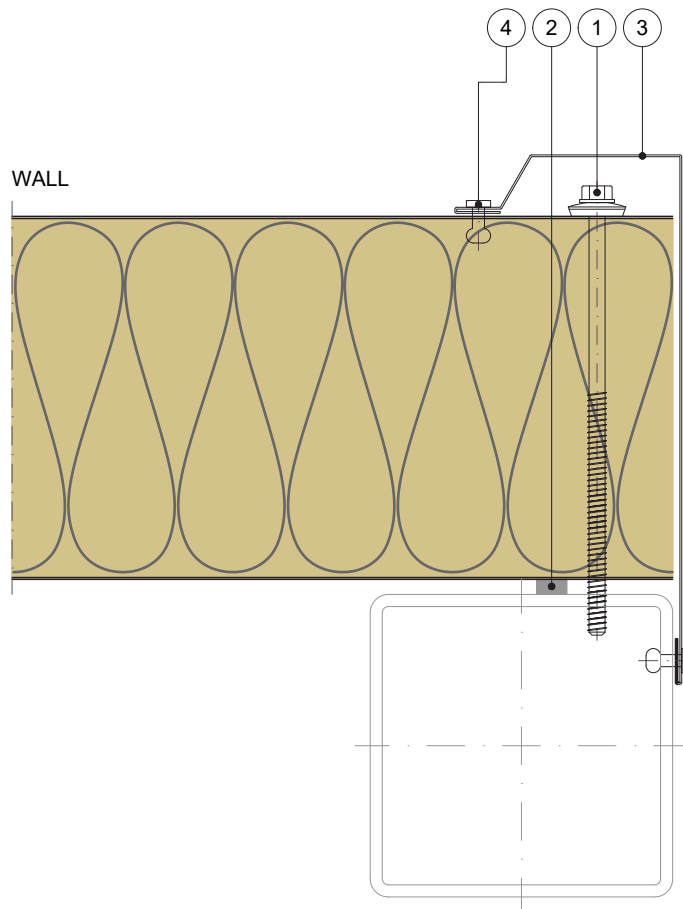
### FUNCTION

- FIRE - fire-resistant system
- FOOGIENE - food & hygiene system
- BASE - backing-wall system

### APPLICATION

- External Facade    + External Soffit
- Internal Wall            + Internal Ceiling
- Flat Roof                     Pitched Roof

### HORIZONTAL CUT



POS.	ELEMENTS	SCALE: M 1:2.5
1	Fixing screw	
2	Sealing tape	
3	Flashing	
4	Blind rivet	

## EXTERNAL CORNER

Trimo Group holds full copyrights on the information and details provided on this media, therefore any unauthorized reproduction and distribution is strictly prohibited.



## HORIZONTAL INSTALLATION

# TRIMOTERM FTV

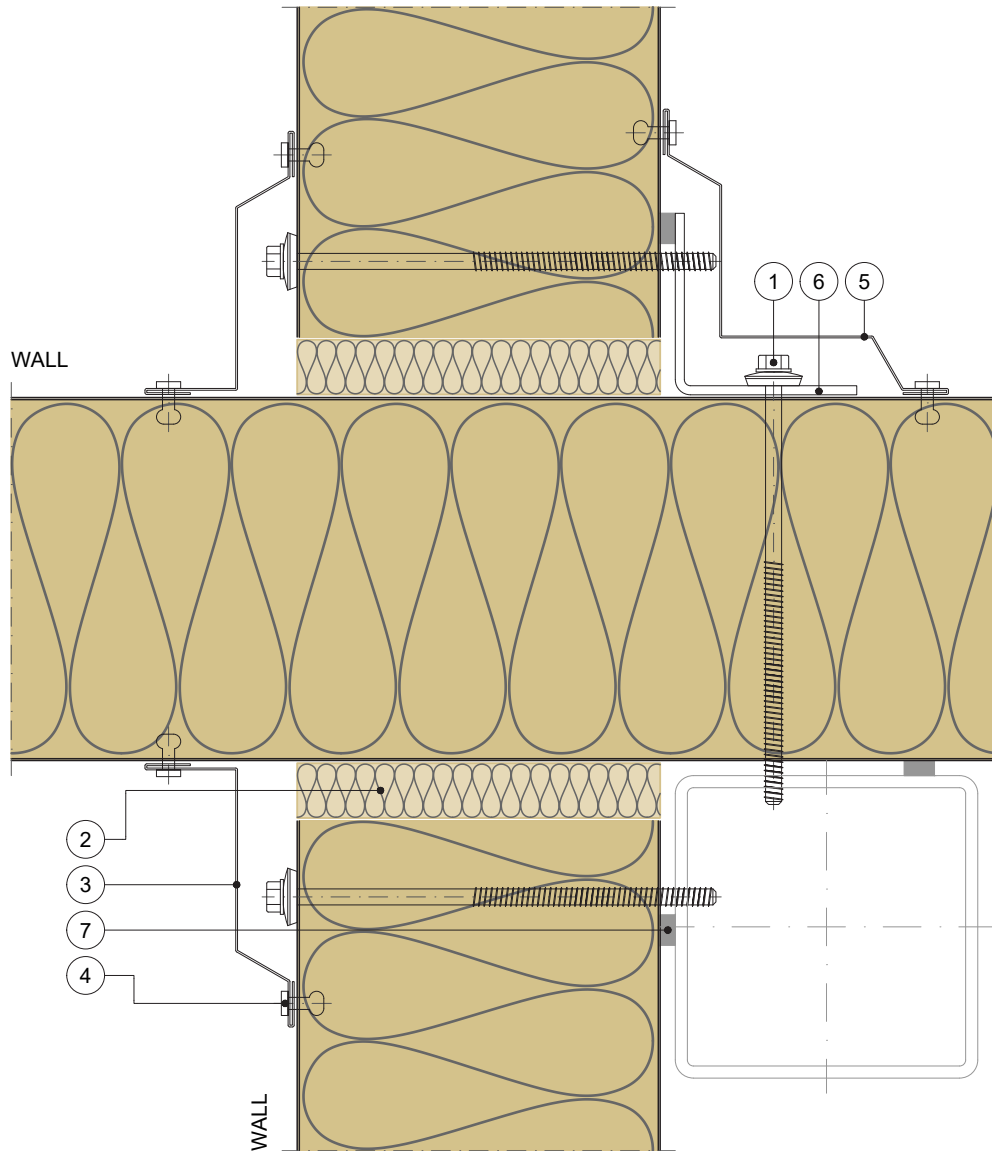
### FUNCTION

- FIRE - fire-resistant system
- FOOGIENE - food & hygiene system
- BASE - backing-wall system

### APPLICATION

- External Facade
- Internal Wall
- Flat Roof
- Pitched Roof
- + External Soffit
- + Internal Ceiling

### HORIZONTAL CUT



POS.	ELEMENTS	SCALE: M 1:2.5
1	Fixing screw	
2	Thermal insulation	
3	Flashing	
4	Blind rivet	
5	Flashing	
6	Support profile	
7	Sealing tape	

## INTERNAL CORNER

Trimo Group holds full copyrights on the information and details provided on this media, therefore any unauthorized reproduction and distribution is strictly prohibited.



## HORIZONTAL INSTALLATION

## TRIMOTERM FTV

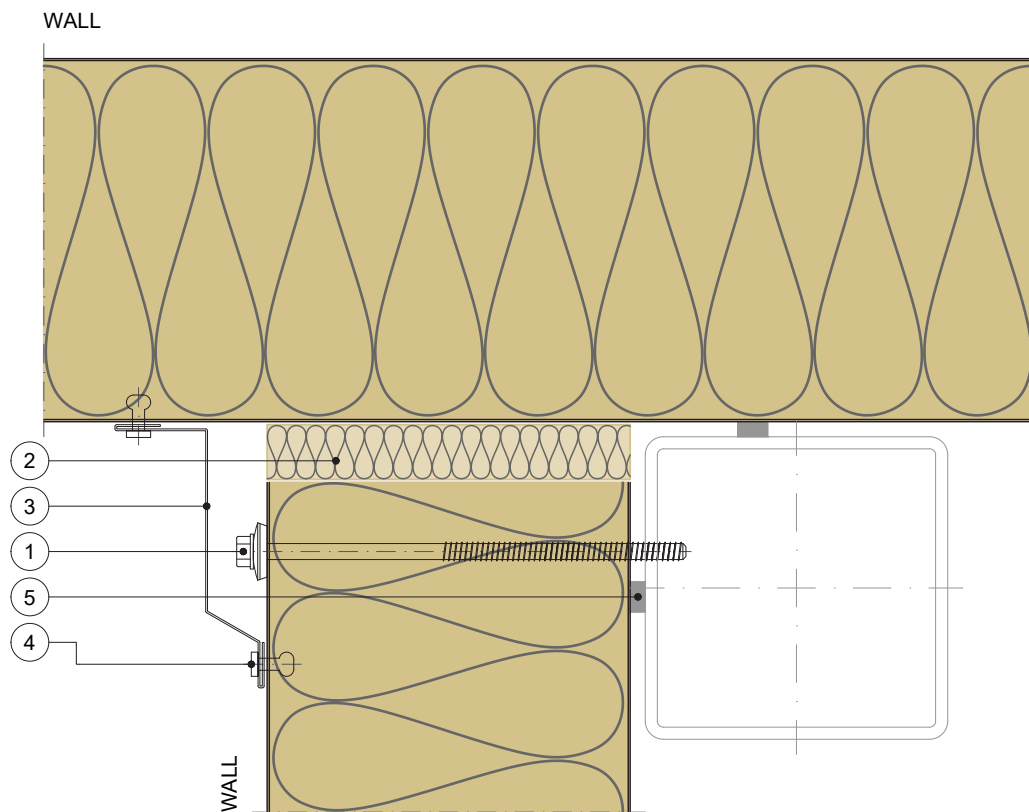
### FUNCTION

- FIRE - fire-resistant system
- FOOGIENE - food & hygiene system
- BASE - backing-wall system

### APPLICATION

- External Facade
- Internal Wall
- Flat Roof
- External Soffit
- Internal Ceiling
- Pitched Roof

### HORIZONTAL CUT



POS.	ELEMENTS	SCALE: M 1:2.5
1	Fixing screw	
2	Thermal insulation	
3	Flashing	
4	Blind rivet	
5	Sealing tape	

## INTERNAL CORNER

Trimo Group holds full copyrights on the information and details provided on this media, therefore any unauthorized reproduction and distribution is strictly prohibited.



## HORIZONTAL INSTALLATION

# TRIMOTERM FTV

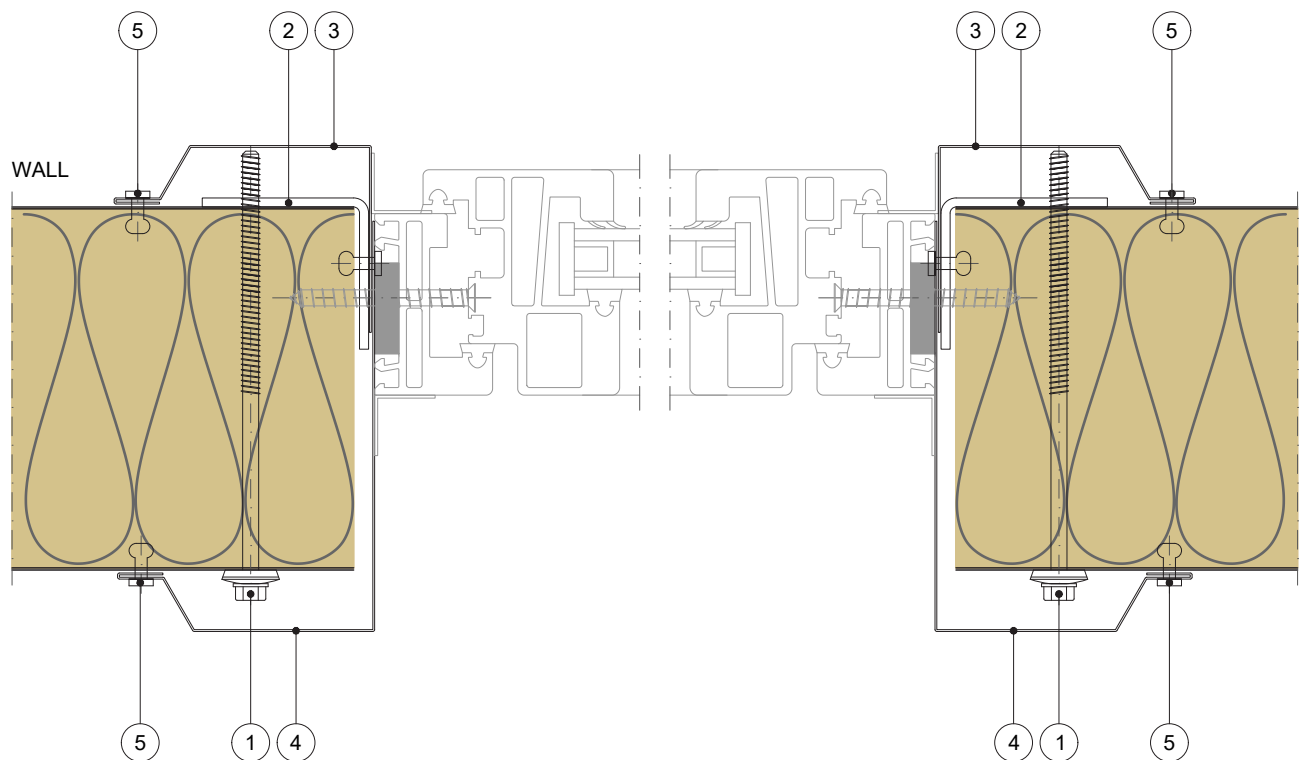
### FUNCTION

- FIRE - fire-resistant system
- FOOGIENE - food & hygiene system
- BASE - backing-wall system

### APPLICATION

- External Facade
- Internal Wall
- Flat Roof
- External Soffit
- Internal Ceiling
- Pitched Roof

### HORIZONTAL CUT



### Note

- A structural calculation for the window substructure has to be done!

POS.	ELEMENTS	SCALE: M 1:2.5
1	Fixing screw	
2	Window support frame	
3	Flashing	
4	Flashing	
5	Blind rivet	

## WINDOW

Trimo Group holds full copyrights on the information and details provided on this media, therefore any unauthorized reproduction and distribution is strictly prohibited.



## HORIZONTAL INSTALLATION

## TRIMOTERM FTV

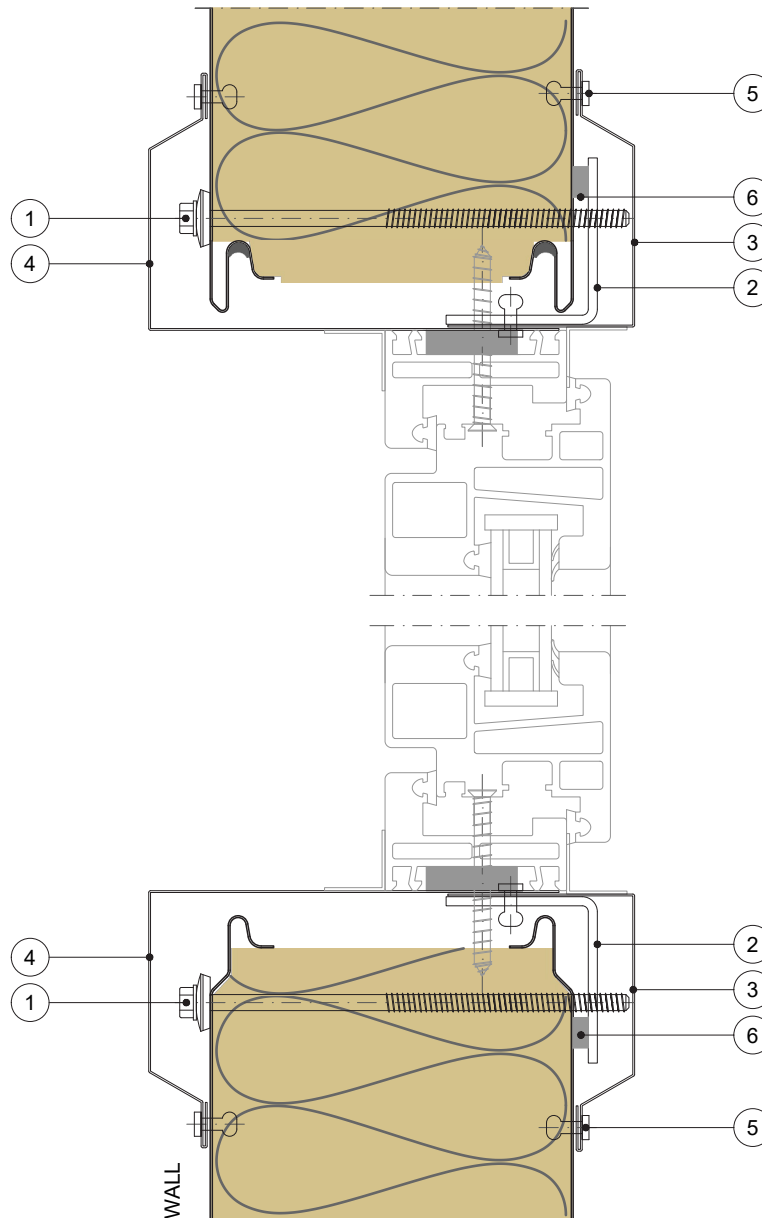
### FUNCTION

- FIRE - fire-resistant system
- FOOGIENE - food & hygiene system
- BASE - backing-wall system

### APPLICATION

- External Facade
- Internal Wall
- Flat Roof
- External Soffit
- Internal Ceiling
- Pitched Roof

### VERTICAL CUT



POS.	ELEMENTS	SCALE: M 1:2.5
1	Fixing screw	
2	Window support frame	
3	Flashing	
4	Flashing	
5	Blind rivet	
6	Sealing tape	

## WINDOW

Trimo Group holds full copyrights on the information and details provided on this media, therefore any unauthorized reproduction and distribution is strictly prohibited.



## HORIZONTAL INSTALLATION

## TRIMOTERM FTV

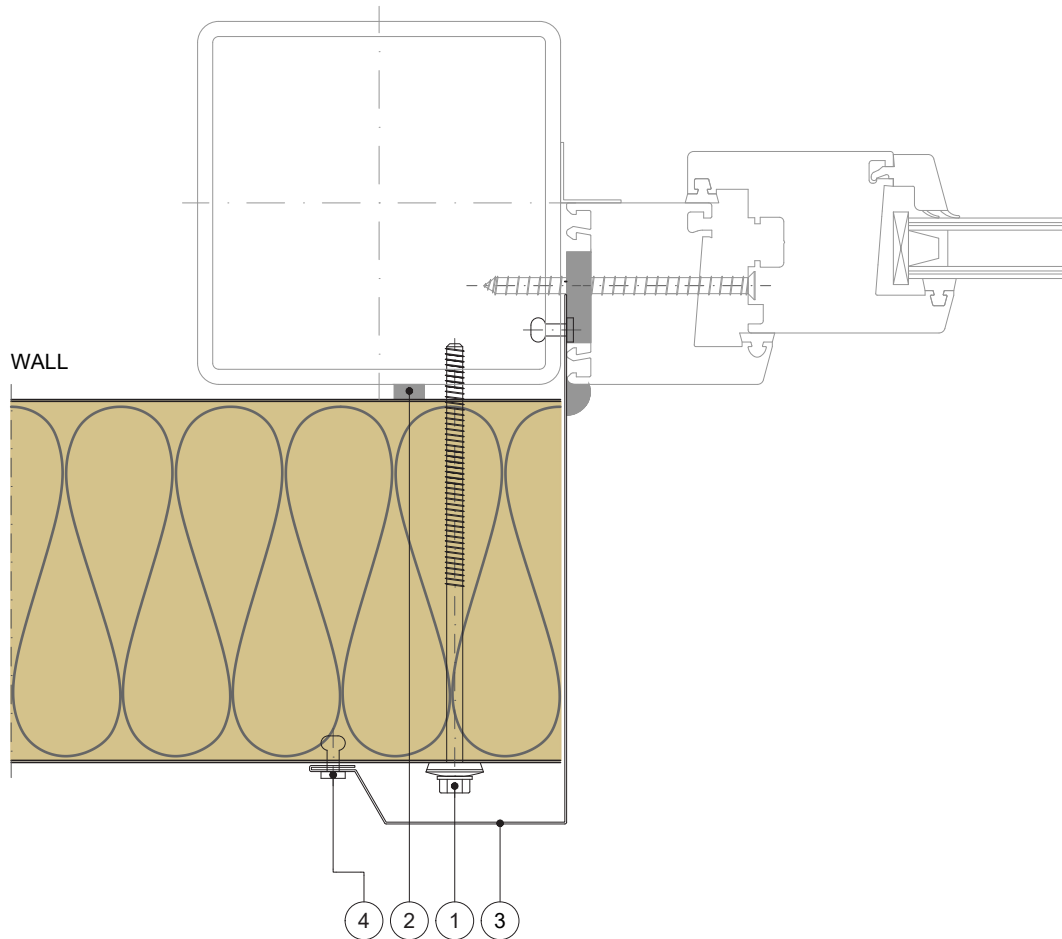
### FUNCTION

- FIRE - fire-resistant system
- FOOGIENE - food & hygiene system
- BASE - backing-wall system

### APPLICATION

- External Facade
- Internal Wall
- Flat Roof
- External Soffit
- Internal Ceiling
- Pitched Roof

### HORIZONTAL CUT



POS.	ELEMENTS	SCALE: M 1:2.5
1	Fixing screw	
2	Sealing tape	
3	Flashing	
4	Blind rivet	

## DOOR

Trimo Group holds full copyrights on the information and details provided on this media, therefore any unauthorized reproduction and distribution is strictly prohibited.





## HORIZONTAL INSTALLATION

# TRIMOTERM FTV

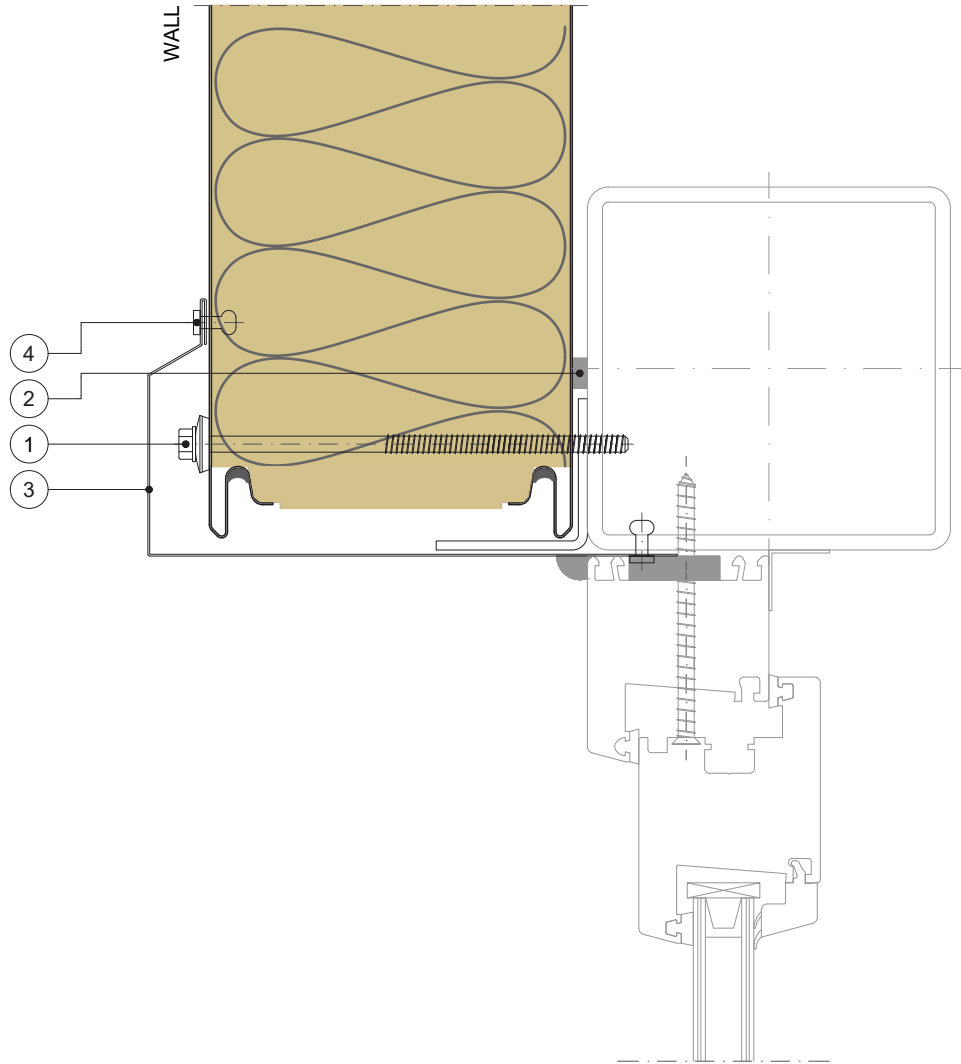
### FUNCTION

- FIRE - fire-resistant system
- FOOGIENE - food & hygiene system
- BASE - backing-wall system

### APPLICATION

- External Facade
- Internal Wall
- Flat Roof
- External Soffit
- Internal Ceiling
- Pitched Roof

## VERTICAL CUT



POS.	ELEMENTS	SCALE: M 1:2.5
1	Fixing screw	
2	Sealing tape	
3	Flashing	
4	Blind rivet	

## DOOR

Trimo Group holds full copyrights on the information and details provided on this media, therefore any unauthorized reproduction and distribution is strictly prohibited.



## HORIZONTAL INSTALLATION

## TRIMOTERM FTV

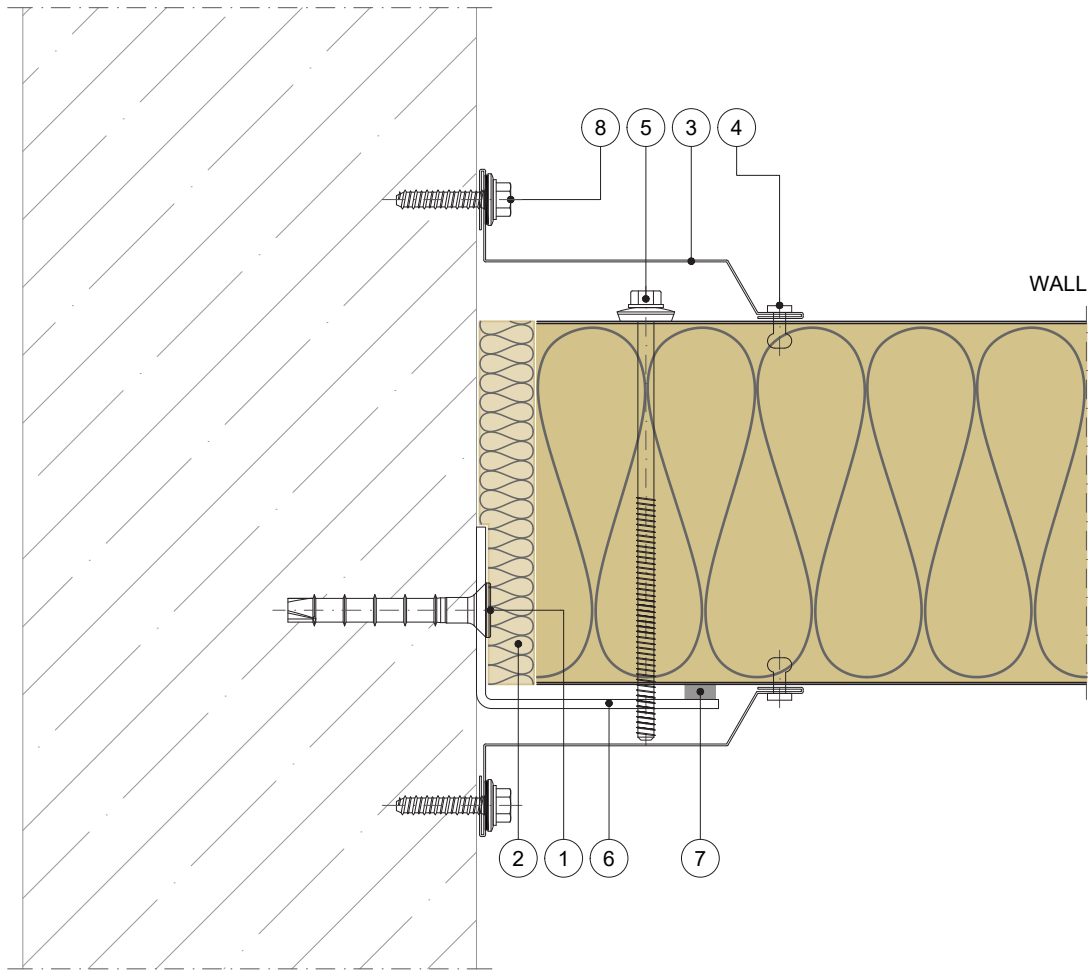
### FUNCTION

- FIRE - fire-resistant system
- FOOGIENE - food & hygiene system
- BASE - backing-wall system

### APPLICATION

- External Facade
- Internal Wall
- Flat Roof
- External Soffit
- Internal Ceiling
- Pitched Roof

### HORIZONTAL CUT



POS.	ELEMENTS	SCALE: M 1:2.5
1	Metal fixing anchor (depending on material)	
2	Thermal insulation	
3	Flashing	
4	Blind rivet	
5	Fixing screw	
6	Support profile	
7	Sealing tape	
8	Metal fixing screw (depending on material)	

## OTHER SYSTEM CONNECTION

Trimo Group holds full copyrights on the information and details provided on this media, therefore any unauthorized reproduction and distribution is strictly prohibited.



## HORIZONTAL INSTALLATION

## TRIMOTERM FTV

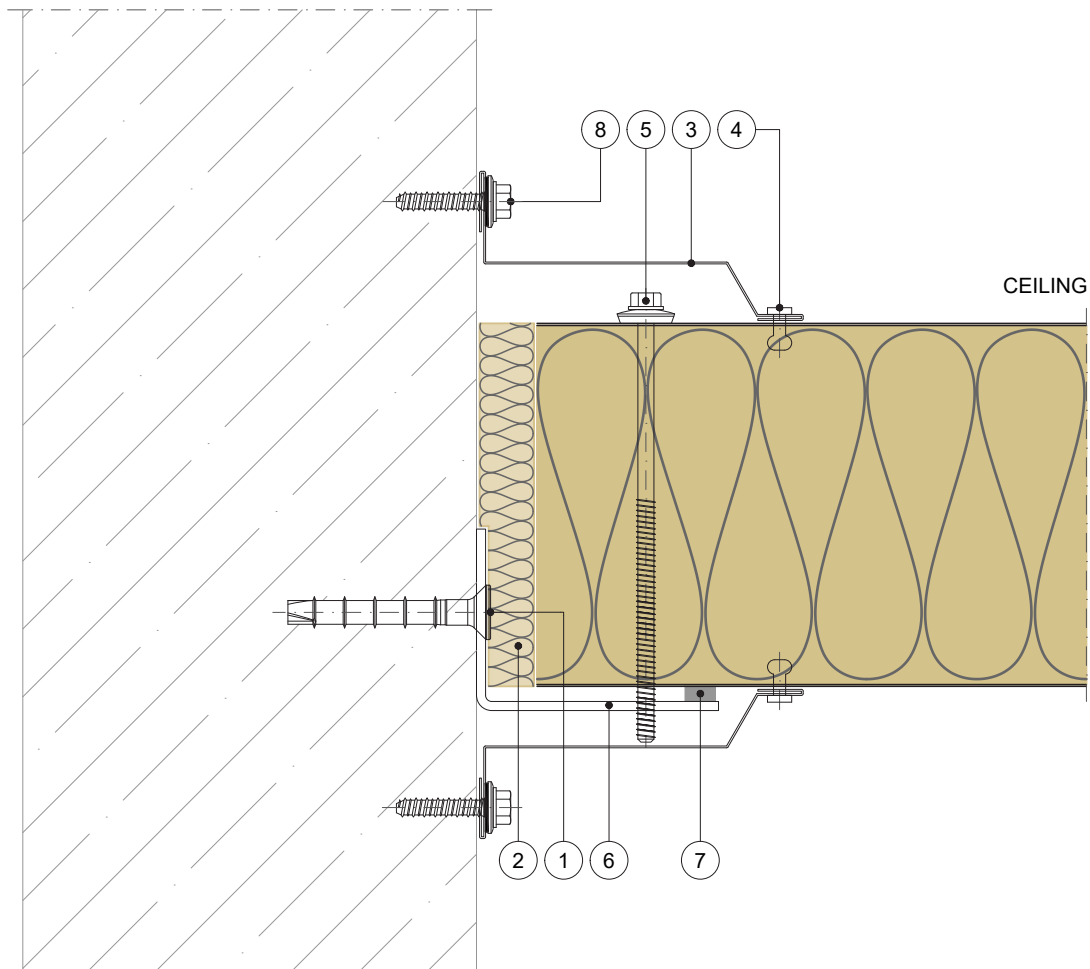
### FUNCTION

- FIRE - fire-resistant system
- FOOGIENE - food & hygiene system
- BASE - backing-wall system

### APPLICATION

- External Facade
- Internal Wall
- Flat Roof
- External Soffit
- Internal Ceiling
- Pitched Roof

### VERTICAL CUT



POS.	ELEMENTS	SCALE: M 1:2.5
1	Metal fixing anchor (depending on material)	
2	Thermal insulation	
3	Flashing	
4	Blind rivet	
5	Fixing screw	
6	Support profile	
7	Sealing tape	
8	Metal fixing screw (depending on material)	

## CEILING

Trimo Group holds full copyrights on the information and details provided on this media, therefore any unauthorized reproduction and distribution is strictly prohibited.



## VERTICAL INSTALLATION

## TRIMOTERM FTV

### FUNCTION

- FIRE - fire-resistant system
- FOOGIENE - food & hygiene system
- BASE - backing-wall system

### APPLICATION

- External Facade
- Internal Wall
- Flat Roof
- External Soffit
- Internal Ceiling
- Pitched Roof

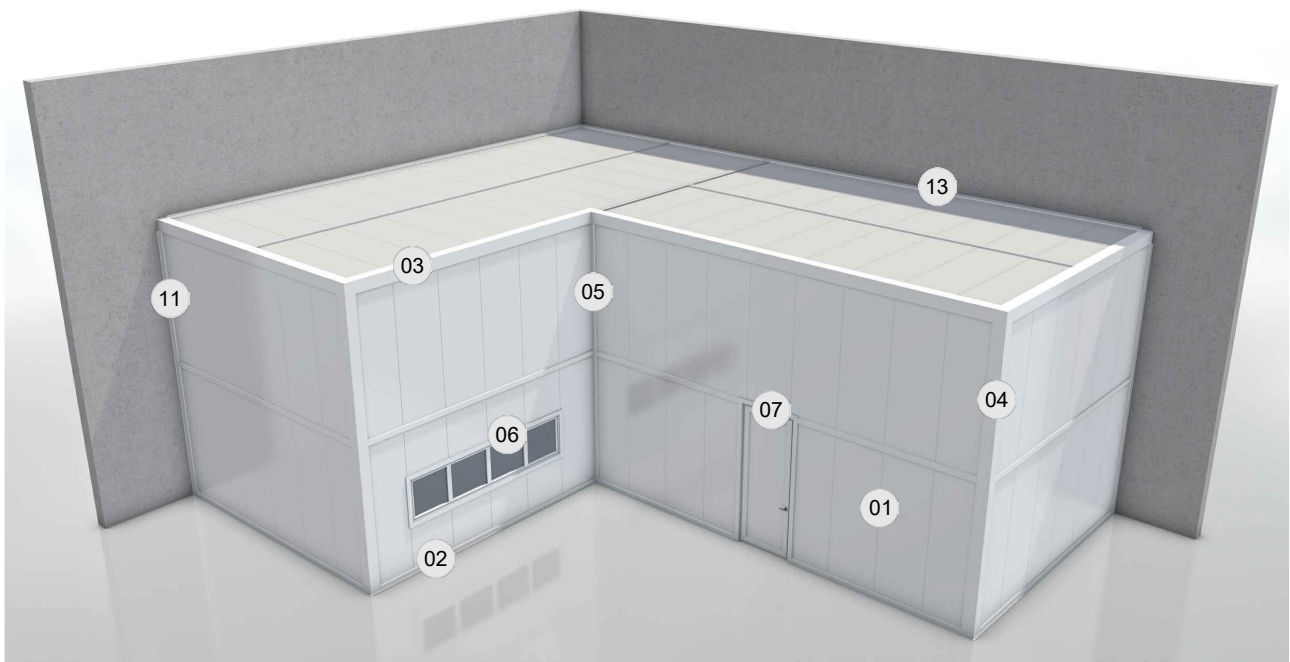


CAD download centre



BIM download centre

- TE-V-01 JOINT
- TE-V-02 BASE
- TE-V-03 PARAPET
- TE-V-04 EXTERNAL CORNER
- TE-V-05 INTERNAL CORNER
- TE-V-06 WINDOW
- TE-V-07 DOOR
- TE-V-11 OTHER SYSTEM CONNECTION
- TE-V-13 CEILING



## SCHEME

Trimo Group holds full copyrights on the information and details provided on this media, therefore any unauthorized reproduction and distribution is strictly prohibited.



## VERTICAL INSTALLATION

## TRIMOTERM FTV

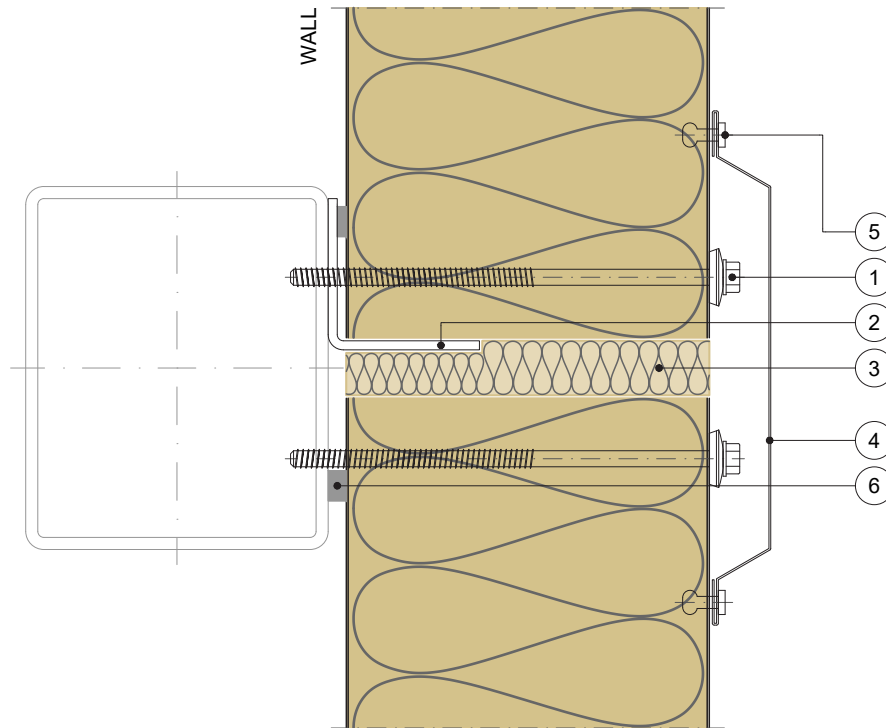
### FUNCTION

- FIRE - fire-resistant system
- FOOGIENE - food & hygiene system
- BASE - backing-wall system

### APPLICATION

- External Facade
- Internal Wall
- Flat Roof
- External Soffit
- Internal Ceiling
- Pitched Roof

### VERTICAL CUT



POS.	ELEMENTS	SCALE: M 1:2.5
1	Fixing screw	
2	Support profile	
3	Thermal insulation	
4	Flashing	
5	Blind rivet	
6	Sealing tape	

## JOINT

Trimo Group holds full copyrights on the information and details provided on this media, therefore any unauthorized reproduction and distribution is strictly prohibited.



## VERTICAL INSTALLATION

## TRIMOTERM FTV

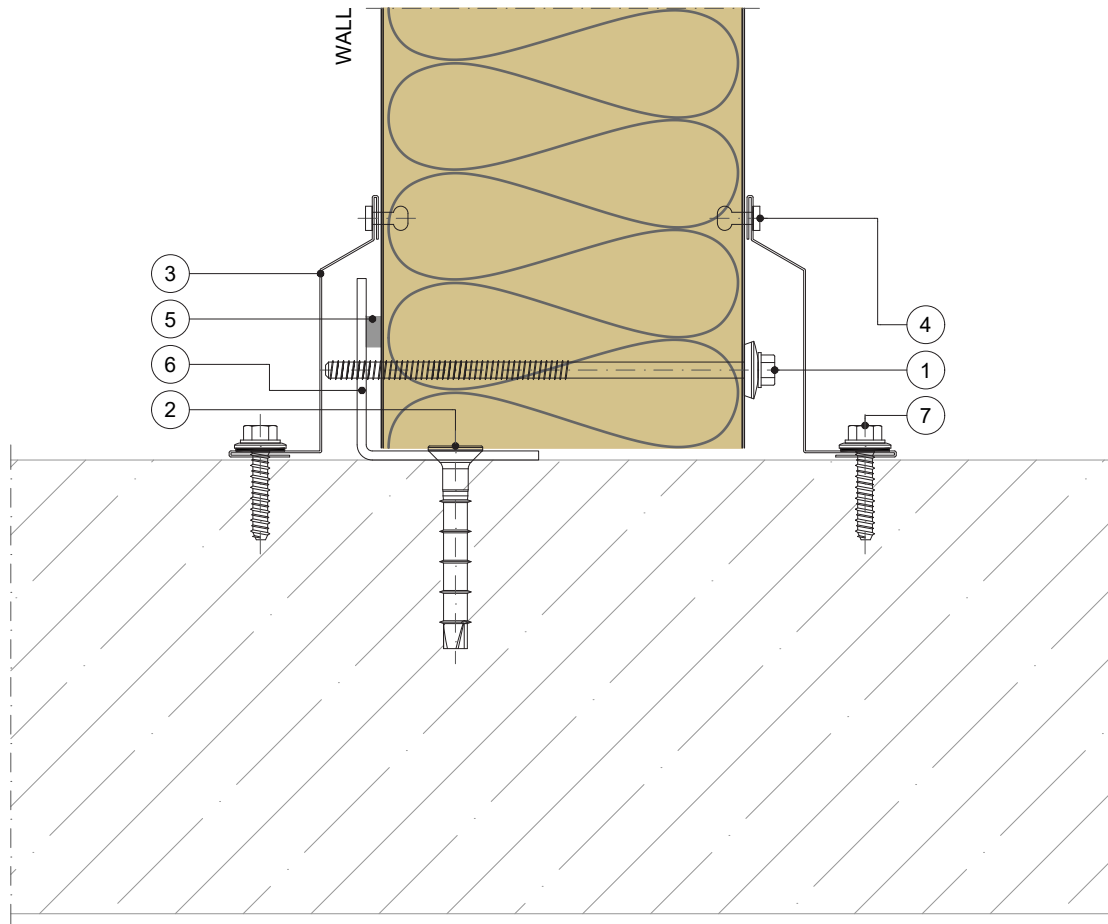
### FUNCTION

- FIRE - fire-resistant system
- FOOGIENE - food & hygiene system
- BASE - backing-wall system

### APPLICATION

- External Facade    + External Soffit
- Internal Wall            + Internal Ceiling
- Flat Roof                  Pitched Roof

### VERTICAL CUT



POS.	ELEMENTS	SCALE: M 1:2.5
1	Fixing screw	
2	Metal fixing anchor (depending on material)	
3	Flashing	
4	Blind rivet	
5	Sealing tape	
6	Support profile	
7	Metal fixing screw (depending on material)	

## BASE

Trimo Group holds full copyrights on the information and details provided on this media, therefore any unauthorized reproduction and distribution is strictly prohibited.



## VERTICAL INSTALLATION

## TRIMOTERM FTV

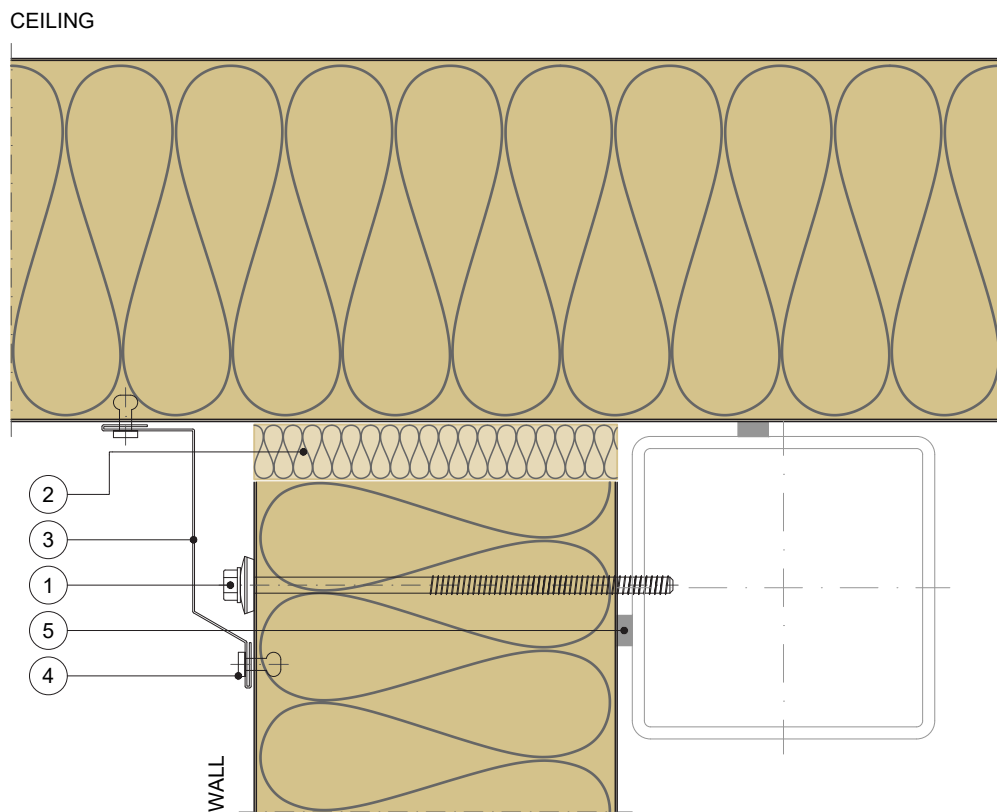
### FUNCTION

- FIRE - fire-resistant system
- FOOGIENE - food & hygiene system
- BASE - backing-wall system

### APPLICATION

- External Facade
- Internal Wall
- Flat Roof
- External Soffit
- Internal Ceiling
- Pitched Roof

### VERTICAL CUT



POS.	ELEMENTS	SCALE: M 1:2.5
1	Fixing screw	
2	Thermal insulation	
3	Flashing	
4	Blind rivet	
5	Sealing tape	

## PARAPET

Trimo Group holds full copyrights on the information and details provided on this media, therefore any unauthorized reproduction and distribution is strictly prohibited.





## VERTICAL INSTALLATION

## TRIMOTERM FTV

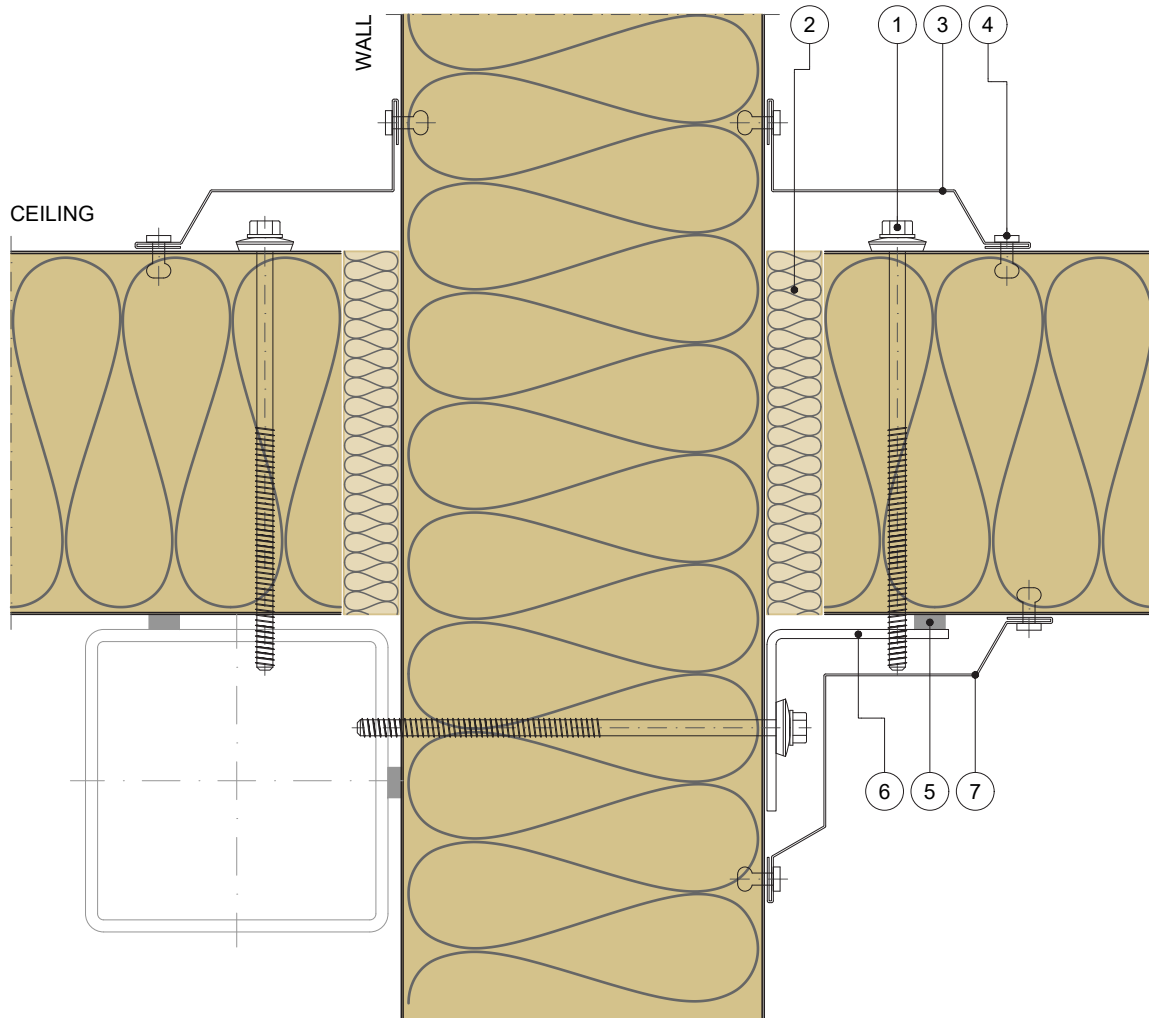
### FUNCTION

- FIRE - fire-resistant system
- FOOGIENE - food & hygiene system
- BASE - backing-wall system

### APPLICATION

- External Facade
- Internal Wall
- Flat Roof
- External Soffit
- Internal Ceiling
- Pitched Roof

### VERTICAL CUT



POS.	ELEMENTS	SCALE: M 1:2.5
1	Fixing screw	
2	Thermal insulation	
3	Flashing	
4	Blind rivet	
5	Sealing tape	
6	Support profile	
7	Flashing	

## PARAPET

Trimo Group holds full copyrights on the information and details provided on this media, therefore any unauthorized reproduction and distribution is strictly prohibited.



## VERTICAL INSTALLATION

## TRIMOTERM FTV

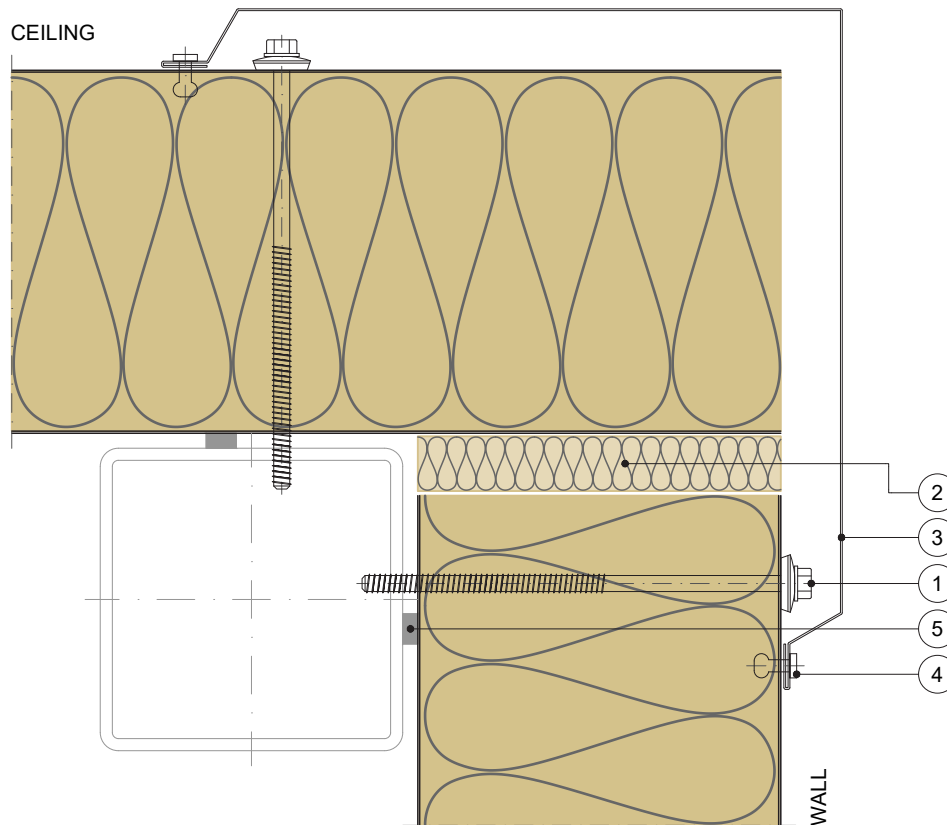
### FUNCTION

- FIRE - fire-resistant system
- FOOGIENE - food & hygiene system
- BASE - backing-wall system

### APPLICATION

- External Facade
- Internal Wall
- Flat Roof
- External Soffit
- Internal Ceiling
- Pitched Roof

### VERTICAL CUT



POS.	ELEMENTS	SCALE: M 1:2.5
1	Fixing screw	
2	Thermal insulation	
3	Flashing	
4	Blind rivet	
5	Sealing tape	

## PARAPET

Trimo Group holds full copyrights on the information and details provided on this media, therefore any unauthorized reproduction and distribution is strictly prohibited.



## VERTICAL INSTALLATION

## TRIMOTERM FTV

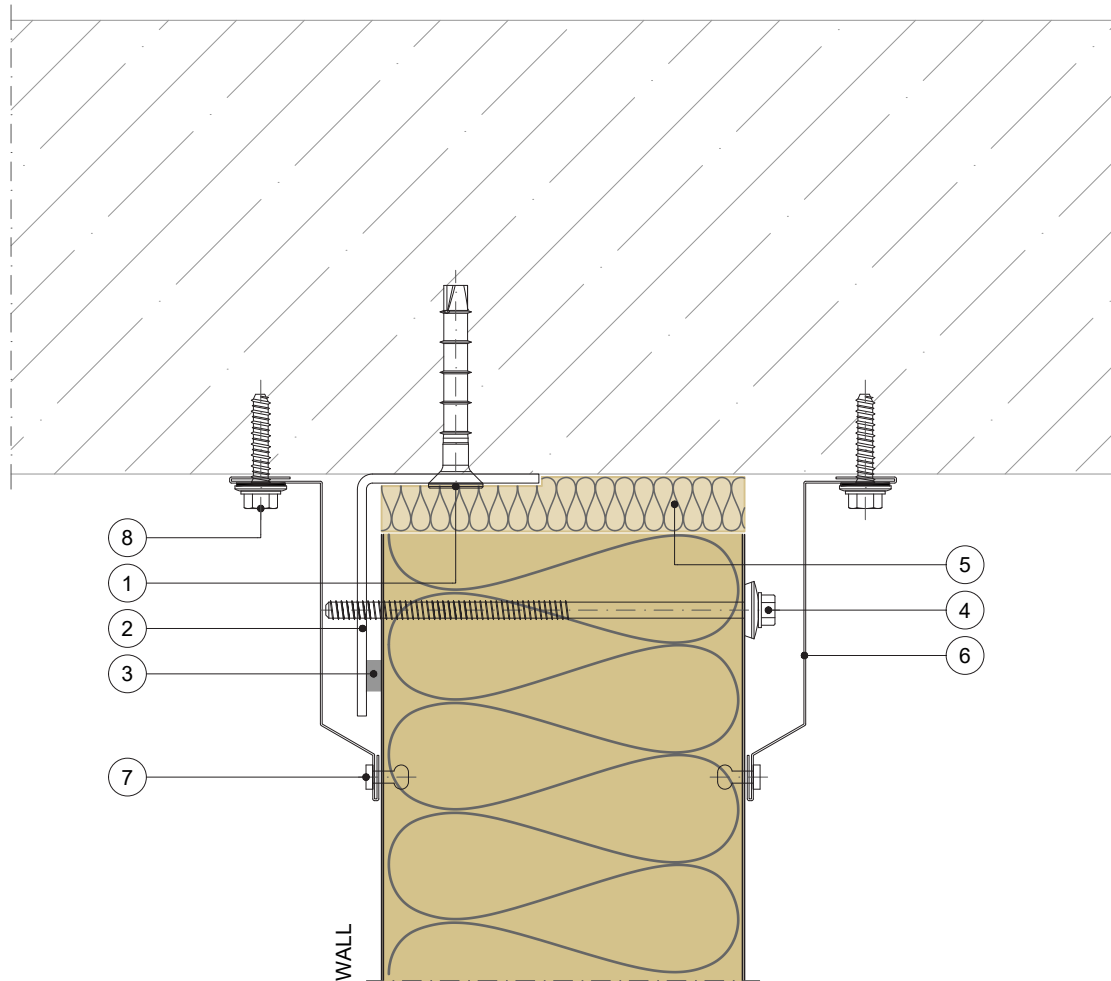
### FUNCTION

- FIRE - fire-resistant system
- FOOGIENE - food & hygiene system
- BASE - backing-wall system

### APPLICATION

- External Facade
- Internal Wall
- Flat Roof
- External Soffit
- Internal Ceiling
- Pitched Roof

### VERTICAL CUT



POS.	ELEMENTS	SCALE: M 1:2.5
1	Metal fixing anchor (depending on material)	
2	Support profile	
3	Sealing tape	
4	Fixing screw	
5	Thermal insulation	
6	Flashing	
7	Blind rivet	
8	Metal fixing screw (depending on material)	

## PARAPET

Trimo Group holds full copyrights on the information and details provided on this media, therefore any unauthorized reproduction and distribution is strictly prohibited.



## VERTICAL INSTALLATION

## TRIMOTERM FTV

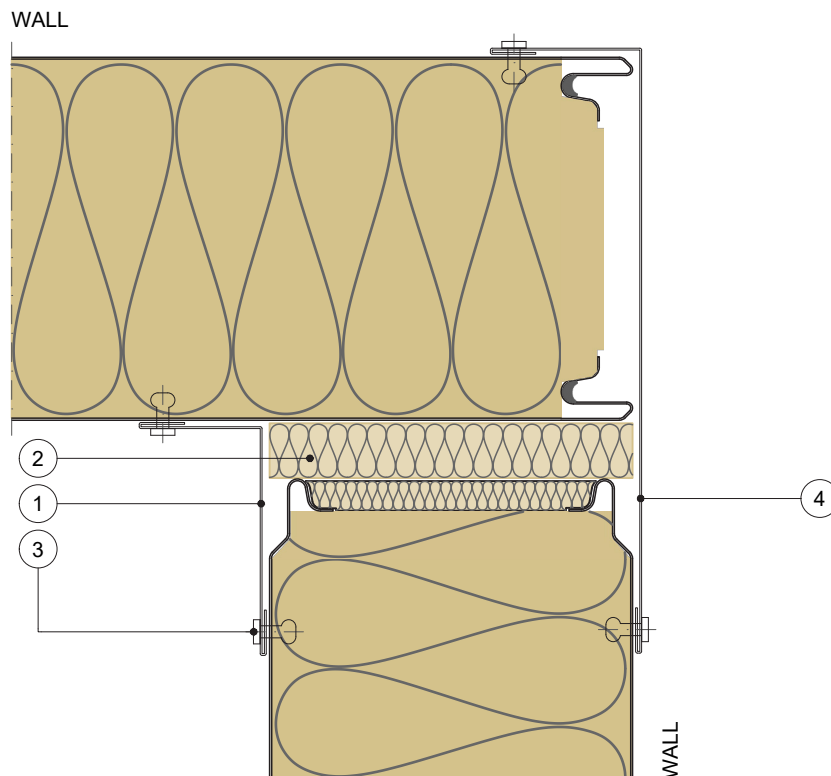
### FUNCTION

- FIRE - fire-resistant system
- FOOGIENE - food & hygiene system
- BASE - backing-wall system

### APPLICATION

- External Facade
- Internal Wall
- Flat Roof
- External Soffit
- Internal Ceiling
- Pitched Roof

### HORIZONTAL CUT



POS.	ELEMENTS	SCALE: M 1:2.5
1	Flashing	
2	Thermal insulation	
3	Blind rivet	
4	Flashing	

## EXTERNAL CORNER

Trimo Group holds full copyrights on the information and details provided on this media, therefore any unauthorized reproduction and distribution is strictly prohibited.



## VERTICAL INSTALLATION

## TRIMOTERM FTV

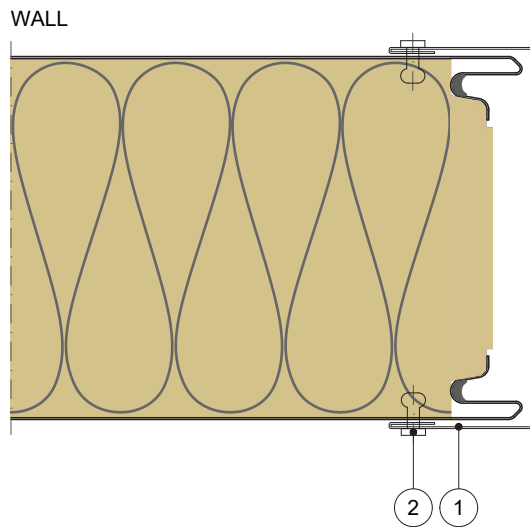
### FUNCTION

- FIRE - fire-resistant system
- FOOGIENE - food & hygiene system
- BASE - backing-wall system

### APPLICATION

- External Facade
- Internal Wall
- Flat Roof
- Pitched Roof
- External Soffit
- Internal Ceiling
- Pitched Roof

### HORIZONTAL CUT



POS.	ELEMENTS	SCALE: M 1:2.5
1	Flashing	
2	Blind rivet	

## EXTERNAL CORNER

Trimo Group holds full copyrights on the information and details provided on this media, therefore any unauthorized reproduction and distribution is strictly prohibited.



## VERTICAL INSTALLATION

## TRIMOTERM FTV

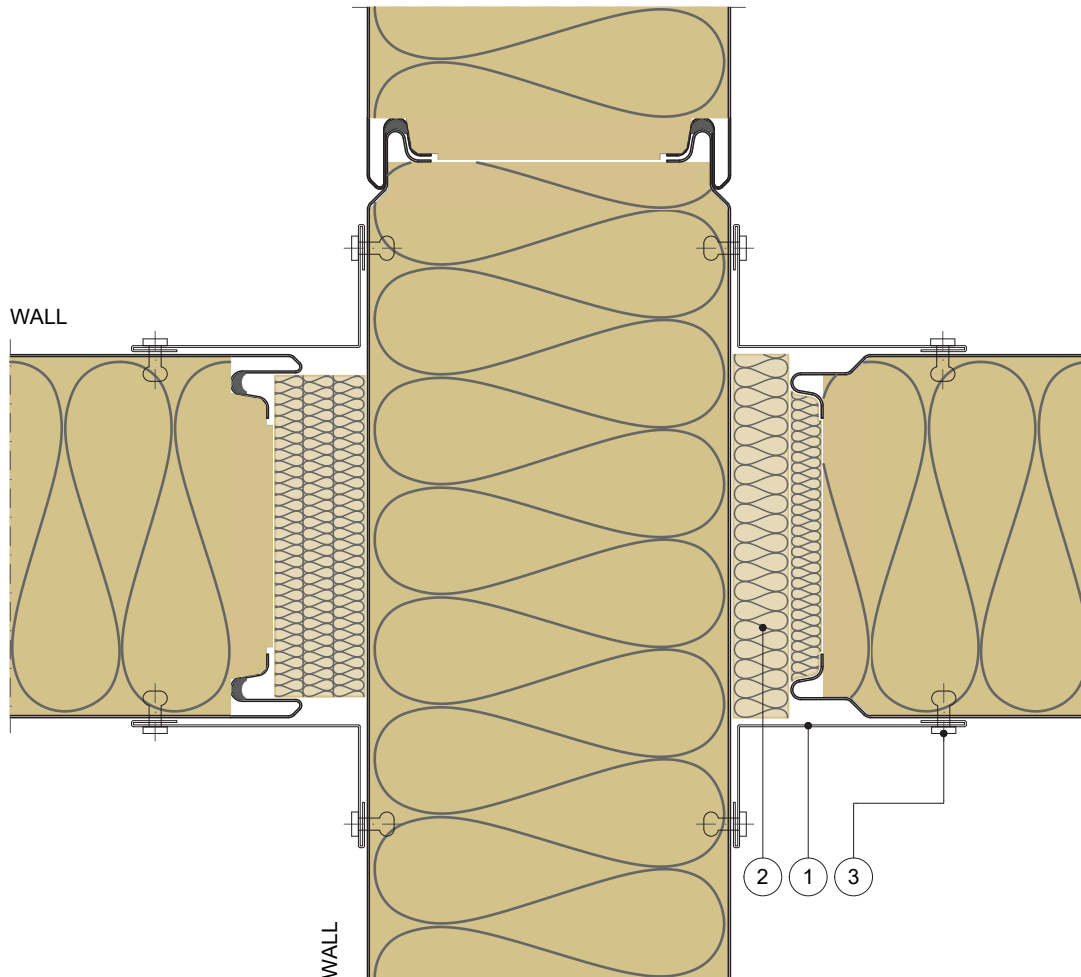
### FUNCTION

- FIRE - fire-resistant system
- FOOGIENE - food & hygiene system
- BASE - backing-wall system

### APPLICATION

- External Facade
- Internal Wall
- Flat Roof
- External Soffit
- Internal Ceiling
- Pitched Roof

### HORIZONTAL CUT



POS.	ELEMENTS	SCALE: M 1:2.5
1	Flashing	
2	Thermal insulation	
3	Blind rivet	

## INTERNAL CORNER

Trimo Group holds full copyrights on the information and details provided on this media, therefore any unauthorized reproduction and distribution is strictly prohibited.



## VERTICAL INSTALLATION

## TRIMOTERM FTV

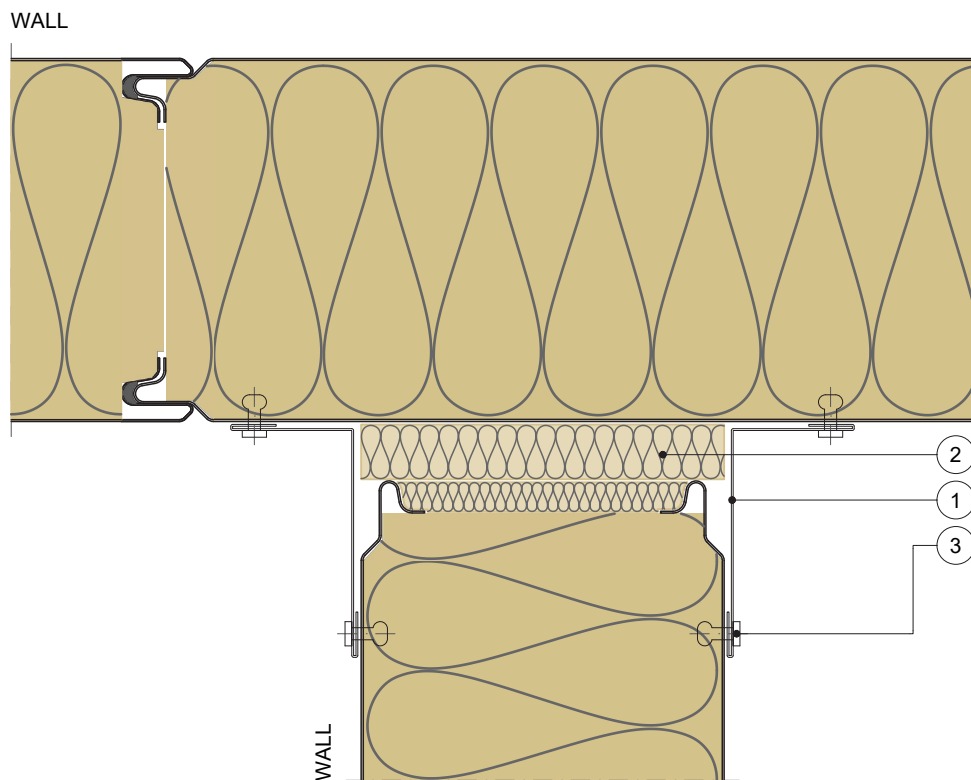
### FUNCTION

- FIRE - fire-resistant system
- FOOGIENE - food & hygiene system
- BASE - backing-wall system

### APPLICATION

- External Facade
- Internal Wall
- Flat Roof
- External Soffit
- Internal Ceiling
- Pitched Roof

### HORIZONTAL CUT



POS.	ELEMENTS	SCALE: M 1:2.5
1	Flashing	
2	Thermal insulation	
3	Blind rivet	

## INTERNAL CORNER

Trimo Group holds full copyrights on the information and details provided on this media, therefore any unauthorized reproduction and distribution is strictly prohibited.





## VERTICAL INSTALLATION

## TRIMOTERM FTV

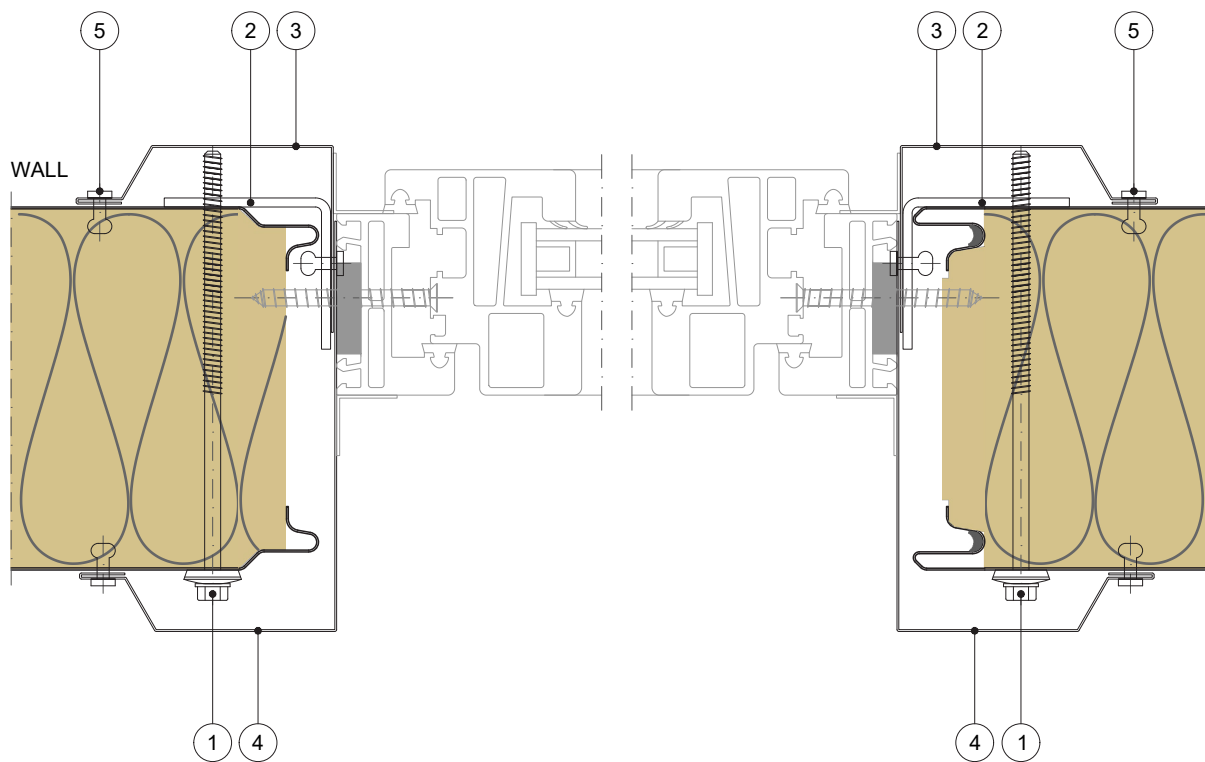
### FUNCTION

- FIRE - fire-resistant system
- FOOGIENE - food & hygiene system
- BASE - backing-wall system

### APPLICATION

- External Facade
- Internal Wall
- Flat Roof
- External Soffit
- Internal Ceiling
- Pitched Roof

### HORIZONTAL CUT



### Note

- A structural calculation for the window substructure has to be done!

POS.	ELEMENTS	SCALE: M 1:2.5
1	Fixing screw	
2	Window support frame	
3	Flashing	
4	Flashing	
5	Blind rivet	

## WINDOW

Trimo Group holds full copyrights on the information and details provided on this media, therefore any unauthorized reproduction and distribution is strictly prohibited.



## VERTICAL INSTALLATION

## TRIMOTERM FTV

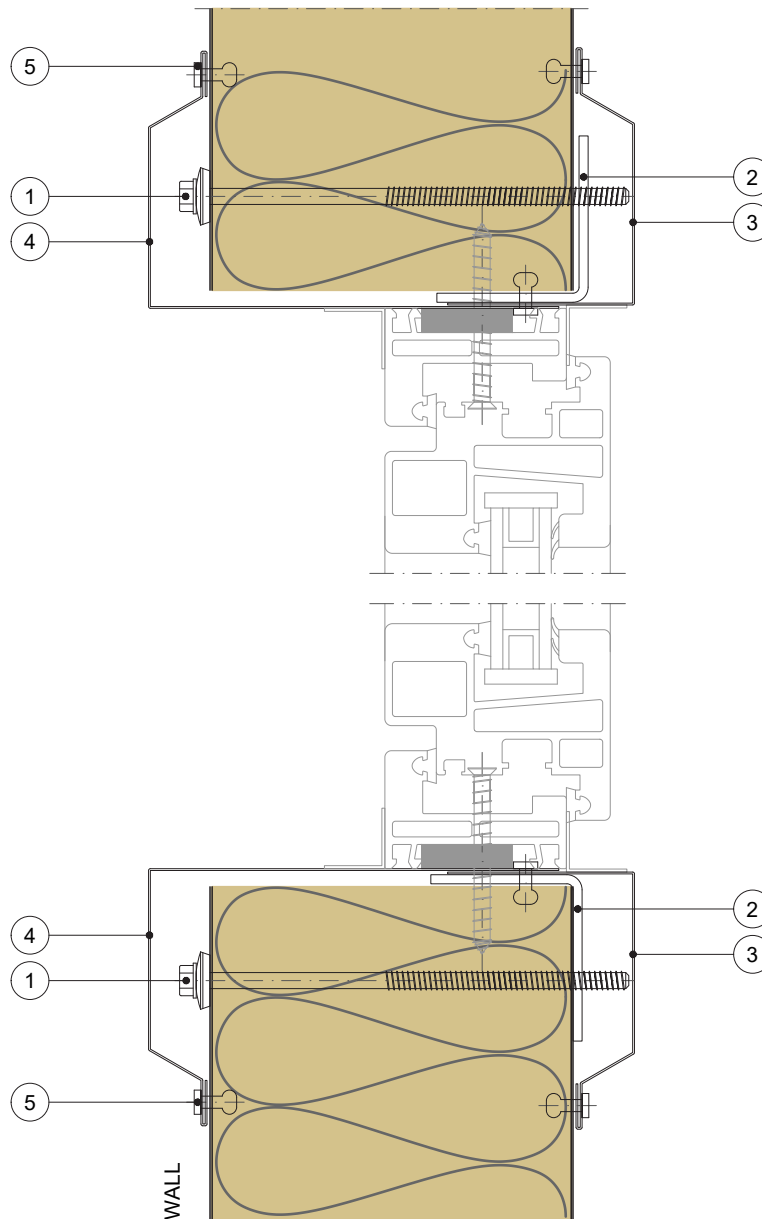
### FUNCTION

- FIRE - fire-resistant system
- FOOGIENE - food & hygiene system
- BASE - backing-wall system

### APPLICATION

- External Facade
- Internal Wall
- Flat Roof
- External Soffit
- Internal Ceiling
- Pitched Roof

### VERTICAL CUT



### Note

- A structural calculation for the window substructure has to be done!

POS.	ELEMENTS	SCALE: M 1:2.5
1	Fixing screw	
2	Window support frame	
3	Flashing	
4	Flashing	
5	Blind rivet	

## WINDOW

Trimo Group holds full copyrights on the information and details provided on this media, therefore any unauthorized reproduction and distribution is strictly prohibited.



## VERTICAL INSTALLATION

## TRIMOTERM FTV

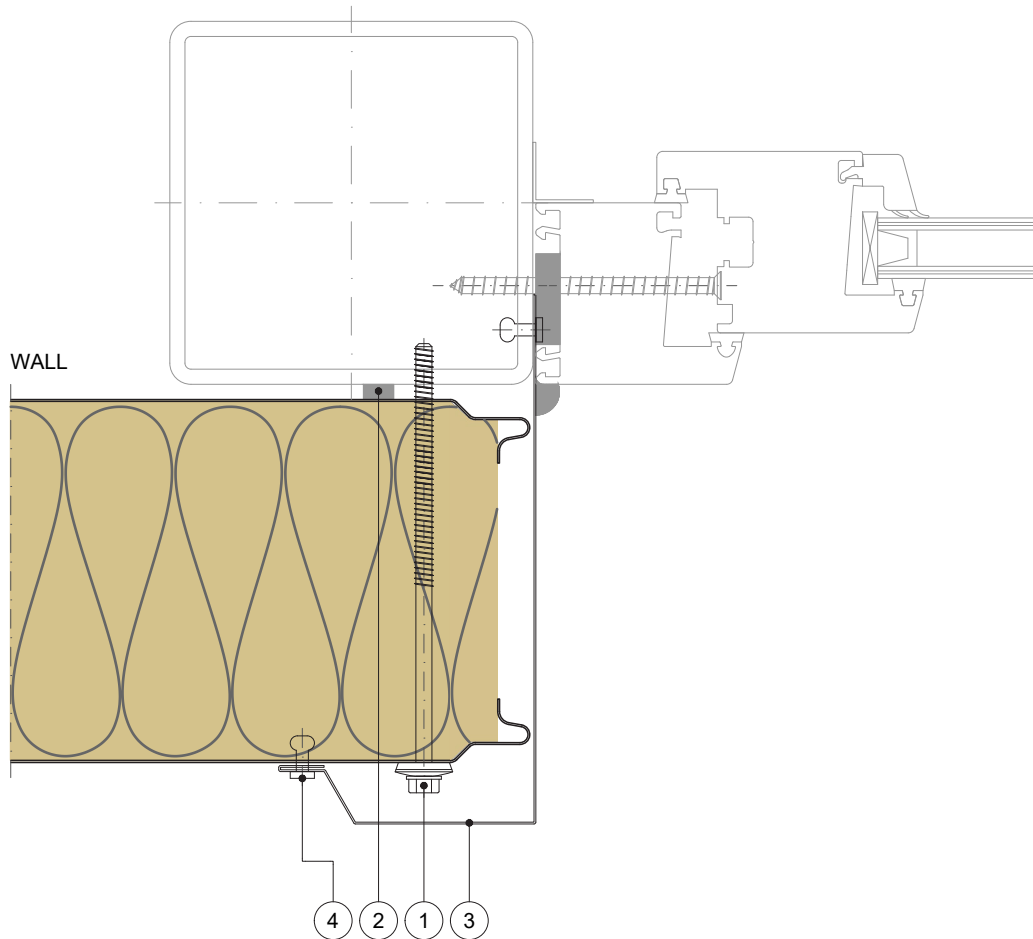
### FUNCTION

- FIRE - fire-resistant system
- FOOGIENE - food & hygiene system
- BASE - backing-wall system

### APPLICATION

- External Facade
- Internal Wall
- Flat Roof
- External Soffit
- Internal Ceiling
- Pitched Roof

### HORIZONTAL CUT



POS.	ELEMENTS	SCALE: M 1:2.5
1	Fixing screw	
2	Sealing tape	
3	Flashing	
4	Blind rivet	

## DOOR

Trimo Group holds full copyrights on the information and details provided on this media, therefore any unauthorized reproduction and distribution is strictly prohibited.



## VERTICAL INSTALLATION

## TRIMOTERM FTV

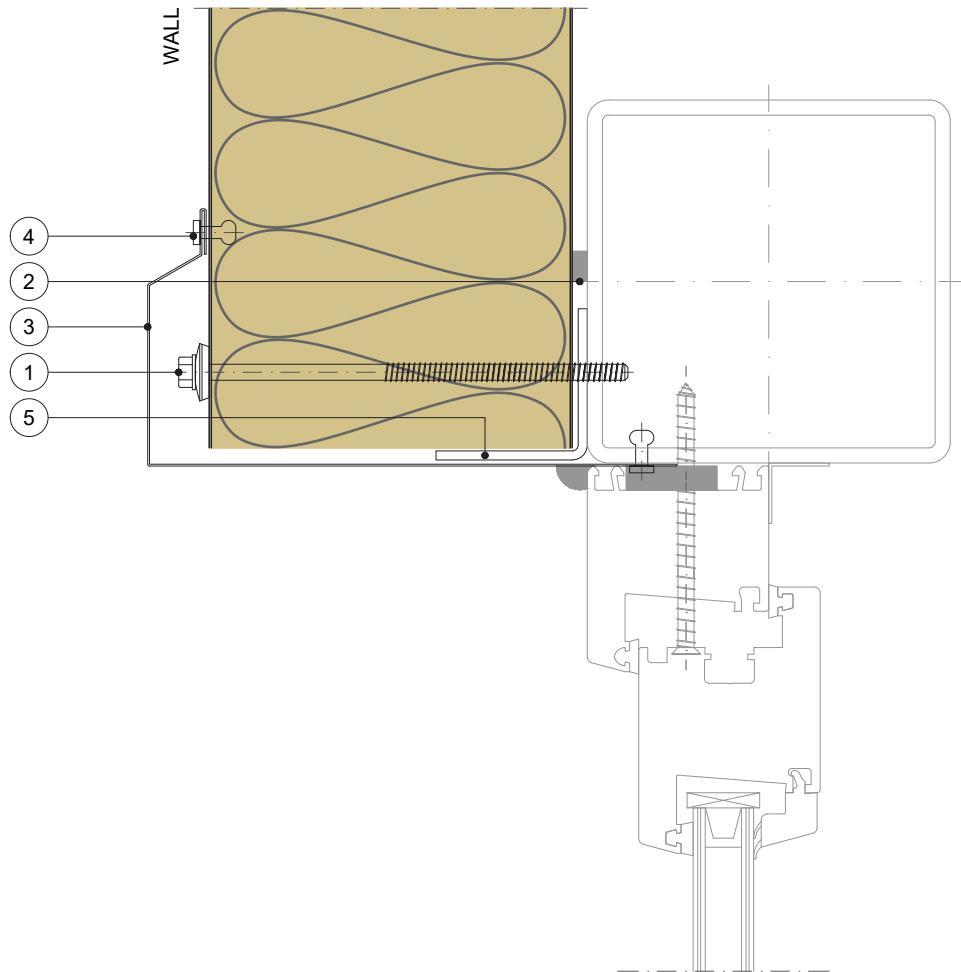
### FUNCTION

- FIRE - fire-resistant system
- FOOGIENE - food & hygiene system
- BASE - backing-wall system

### APPLICATION

- External Facade
- Internal Wall
- Flat Roof
- External Soffit
- Internal Ceiling
- Pitched Roof

### VERTICAL CUT



POS.	ELEMENTS	SCALE: M 1:2.5
1	Fixing screw	
2	Sealing tape	
3	Flashing	
4	Blind rivet	
5	Support profile	

## DOOR

Trimo Group holds full copyrights on the information and details provided on this media, therefore any unauthorized reproduction and distribution is strictly prohibited.



## VERTICAL INSTALLATION

## TRIMOTERM FTV

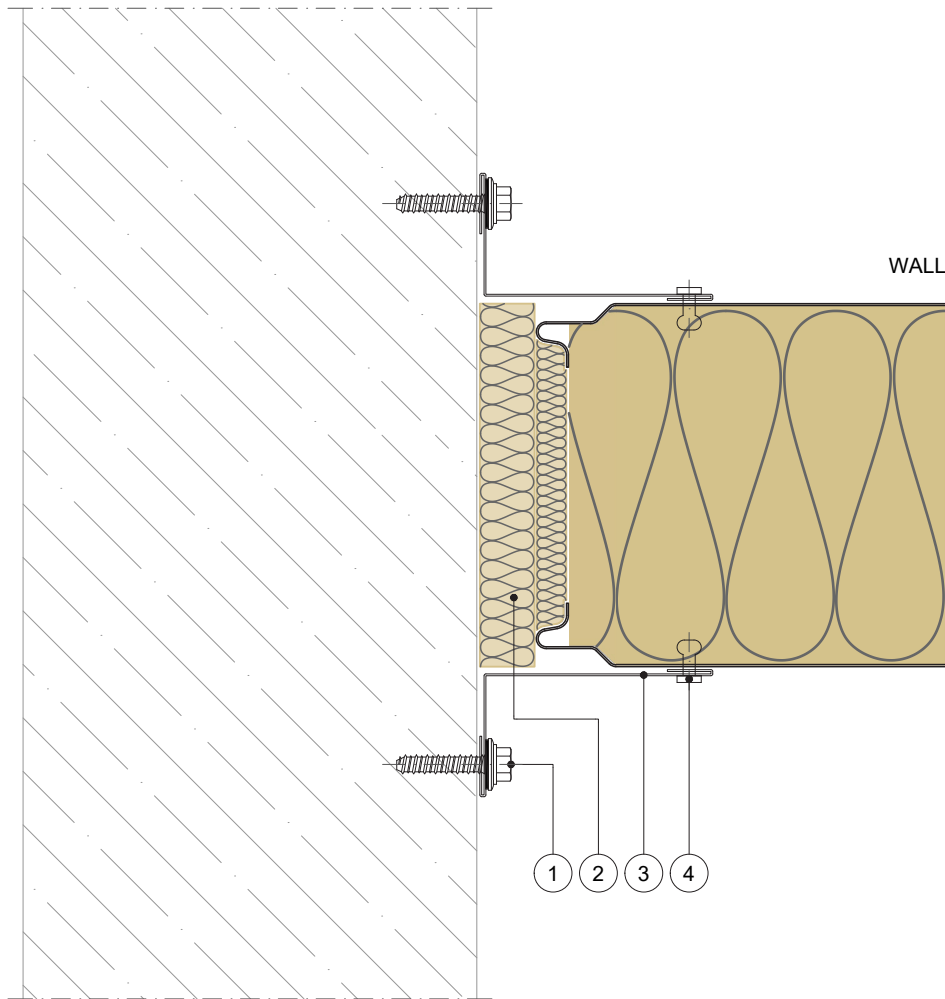
### FUNCTION

- FIRE - fire-resistant system
- FOOGIENE - food & hygiene system
- BASE - backing-wall system

### APPLICATION

- External Facade
- Internal Wall
- Flat Roof
- External Soffit
- Internal Ceiling
- Pitched Roof

### HORIZONTAL CUT



POS.	ELEMENTS	SCALE: M 1:2.5
1	Metal fixing screw (depending on material)	
2	Thermal insulation	
3	Flashing	
4	Blind rivet	

## OTHER SYSTEM CONNECTION

Trimo Group holds full copyrights on the information and details provided on this media, therefore any unauthorized reproduction and distribution is strictly prohibited.



## VERTICAL INSTALLATION

## TRIMOTERM FTV

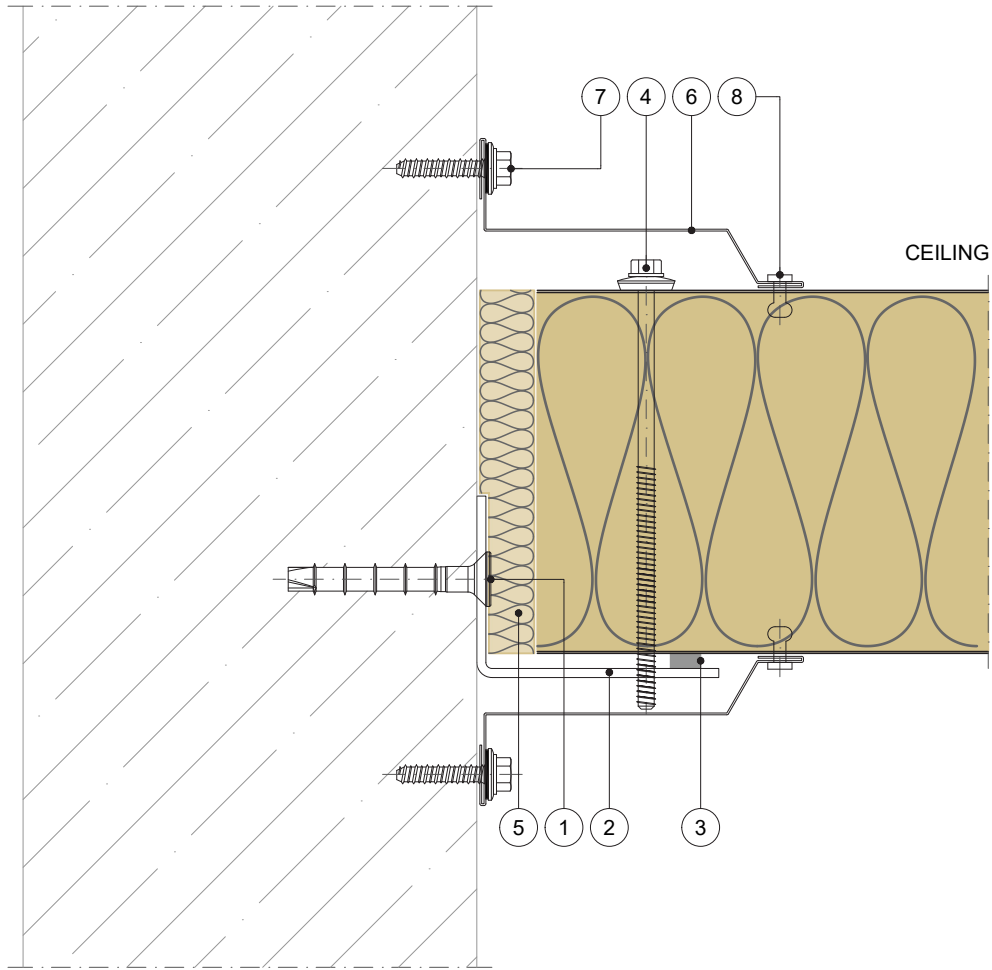
### FUNCTION

- FIRE - fire-resistant system
- FOOGIENE - food & hygiene system
- BASE - backing-wall system

### APPLICATION

- External Facade
- Internal Wall
- Flat Roof
- External Soffit
- Internal Ceiling
- Pitched Roof

### VERTICAL CUT



POS.	ELEMENTS	SCALE: M 1:2.5
1	Metal fixing anchor (depending on material)	
2	Support profile	
3	Sealing tape	
4	Fixing screw	
5	Thermal insulation	
6	Flashing	
7	Metal fixing screw (depending on wall material)	
8	Blind rivet	

## CEILING

Trimo Group holds full copyrights on the information and details provided on this media, therefore any unauthorized reproduction and distribution is strictly prohibited.



# TRIMO

**TRIMO D.O.O.**  
**PRIJATELJEVA CESTA 12**  
**8210 TREBNJE | SLOVENIJA**  
**T: +386 (0)7 34 60 200**  
**F: +386 (0)7 34 60 127**  
**E: TRIMO@TRIMO-GROUP.COM**  
**W: WWW.TRIMO-GROUP.COM**

Trimo Group holds full copyrights on the information and details provided on this media, therefore any unauthorized reproduction and distribution is strictly prohibited. Professional care has been taken to ensure that information/details are accurate, correct, complete and not misleading. However, Trimo (including its subsidiaries) does not accept responsibility or liability for errors or information which is found to be misleading. Information/details on this media are for general purposes only. Use of it is on your own initiative and responsibility for compliance with local laws is yours. Any deviations in details and project solutions are user responsibility. In no event, will Trimo be liable for any loss or damage including without limitation, indirect or consequential loss or damage, or any loss or damage whatsoever arising from loss profits arising out of or in connection with, the use of this media. All information issued by Trimo Group is subject to continuous development and information/details contained on this media are current at date of issue. It is user's responsibility to obtain most up-to-date information from Trimo when information/details are used for project.

The last version of the document is available on [www.trimo-group.com](http://www.trimo-group.com). Latest version of published document in English language prevails over other translated language documents.

For information about the delivery of panels see Trimo's General conditions. <https://trimo-group.com/en/trimo/general-conditions-of-sale>